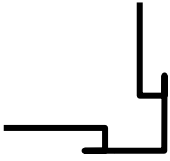
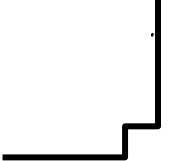
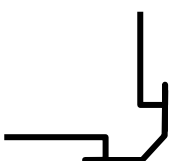
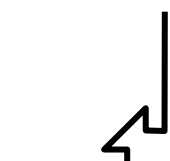


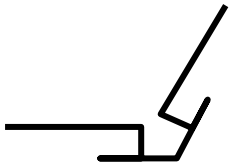
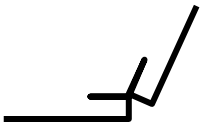





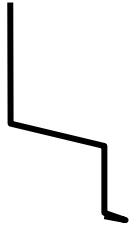
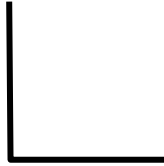



## CATALOGUE

This form is for information on metal products supplied by Dynamic Metal Solutions Inc.



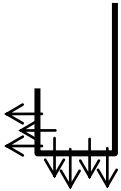
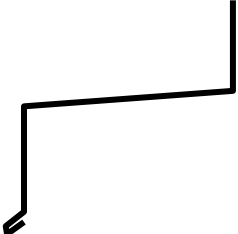

RAINSREEN WALL FLASHINGS				
Item	Price/Lineal Foot	Item #	Description	Price
			Square Edge Corner	Call for Pricing
			W Inside Corner	Call for Pricing
			Soft Edge Corner	Call for Pricing
			Soft Inside Corner	Call for Pricing

**RAINSREEN WALL FLASHINGS**




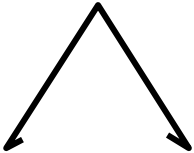
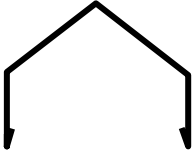
Item	Price/Lineal Foot	Item #	Description	Price
			22 ½ Outside Corner	Call for Pricing
			22 ½ Inside Corner	Call for Pricing
			Head Flashing	Call for Pricing
			Sill Flashing	Call for Pricing
			Double Sill Flashing	Call for Pricing

RAINSREEN WALL FLASHINGS				
Item	Price/Lineal Foot	Item #	Description	Price
			Thru wall Flashing	Call for Pricing
			L Edge	Call for Pricing
			Soffit J Trim	Call for Pricing
			Jamb Flashing	Call for Pricing
			Gum Lip	Call for Pricing

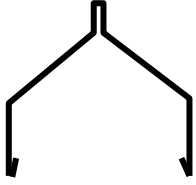
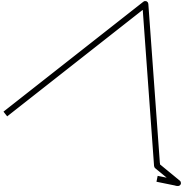
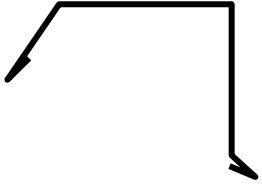
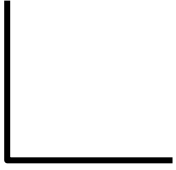
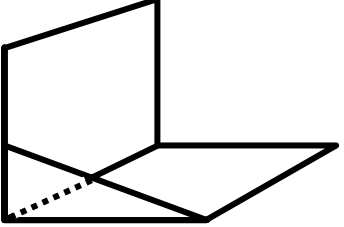
**RAINSREEN WALL FLASHINGS**

Item	Price/Lineal Foot	Item #	Description	Price
			<p><b>Top Piece Double Gum Lip</b></p>	<p><b>Call for Pricing</b></p>
			<p><b>Starter Piece Double gum Lip</b></p>	<p><b>Call for Pricing</b></p>
			<p><b>Perforated J Mould</b></p>	<p><b>Call for Pricing</b></p>
			<p><b>Curb Base Flashing</b></p>	<p><b>Call for Pricing</b></p>
			<p><b>Flat Base Flashing</b></p>	<p><b>Call for Pricing</b></p>



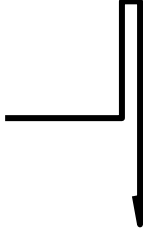
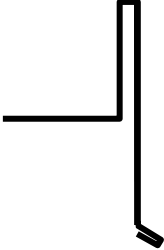
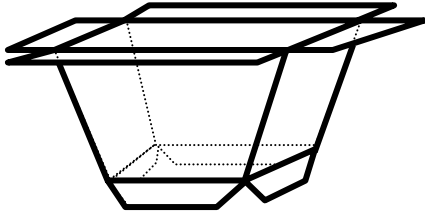
**ROOFING, DECKING AND CHIMNEYS**

Item	Price/Lineal Foot	Item #	Description	Price
			Parapet Cap	Call for Pricing
			Double Sloped Cap	Call for Pricing
			Sloped Parapet Cap	Call for Pricing
			Ridge Cap	Call for Pricing
			Ridge Cap	Call for Pricing

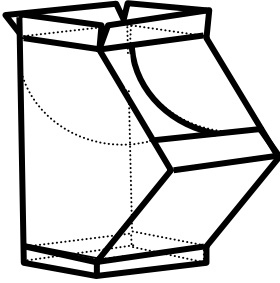
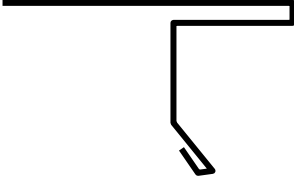
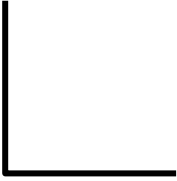

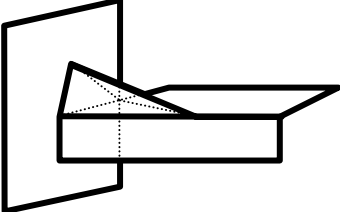
**ROOFING, DECKING AND CHIMNEYS**

Item	Price/Lineal Foot	Item #	Description	Price
			Ridge Cap	Call for Pricing
			Cant Strip	Call for Pricing
			Cant Strip W/ Face	Call for Pricing
			Step Flashing	Call for Pricing
			Roof Diverter	Call for Pricing

**ROOFING, DECKING AND CHIMNEYS**

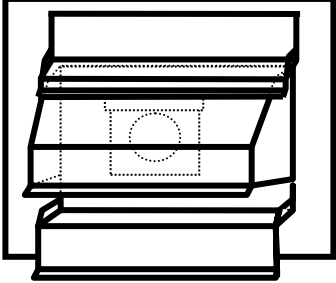
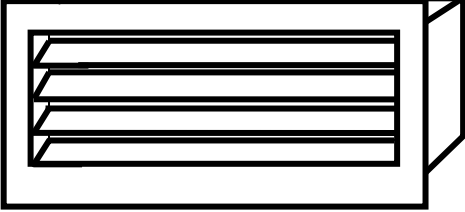
Item	Price/Lineal Foot	Item #	Description	Price
			Rain Water Trough	Call for Pricing
			Gable Flashing	Call for Pricing
			T Flashing	Call for Pricing
			T Flashing W/ Drip	Call for Pricing
			Funnel Outlet	Call for Pricing






**ROOFING, DECKING AND CHIMNEYS**

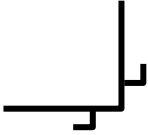
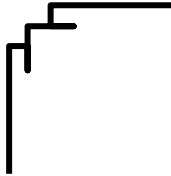
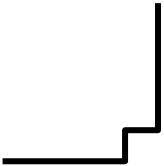


Item	Price/Lineal Foot	Item #	Description	Price
			<p>Rain Water Cleanout</p>	<p>Call for Pricing</p>
			<p>Eave Starter</p>	<p>Call for Pricing</p>
			<p>PVC Coated Angle</p>	<p>Call for Pricing</p>
			<p>PVC Coated Deck Edge</p>	<p>Call for Pricing</p>
			<p>PVC Coated Deck Diverter</p>	<p>Call for Pricing</p>

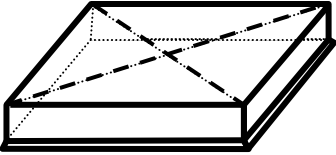
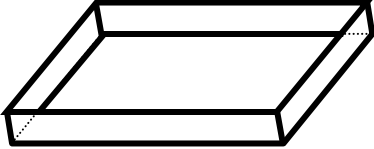


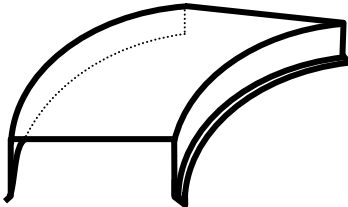


**VENTS AND LOUVERS**

Item	Price/Lineal Foot	Item #	Description	Price
			<p>Damper Door Vents</p>	<p>Call for Pricing</p>
			<p>Louvered Vents</p>	<p>Call for Pricing</p>

PANEL SYSTEM				
Item	Price/Lineal Foot	Item #	Description	Price
 <p>Requires Back Plate</p>			Vertical Top Cap	Call for Pricing
 <p>Requires Back Plate</p>			Stepped Vertical Top Cap	Call for Pricing
 <p>Requires Front Plate</p>			Back Plate	Call for Pricing
			1 Piece Vertical Molding	Call for Pricing
			Panel T Transition	Call for Pricing

PANEL SYSTEM				
Item	Price/Lineal Foot	Item #	Description	Price
			Panel Outside Corner	Call for Pricing
			Panel Inside Corner	Call for Pricing
			Panel W Inside Corner	Call for Pricing
			Horizontal Trim	Call for Pricing
			Panel Z Trim	Call for Pricing

CUSTOM FLASHINGS				
Item	Price/Lineal Foot	Item #	Description	Price
			Post Caps	Call for Pricing
			Pans	Call for Pricing
			Chimney Caps	Call for Pricing
			Curved Head Flashings	Call for Pricing
			Curved Cap Flashing	Call for Pricing

## PREPAINT

- Steel produced as Galvanized G-90 or Galvalume AZ 150 use the hot dip galvanization process
- Prepainted galvanized and prepainted galvalume meet the general requirements of ASTM A-653/653M and A 792/792M
- These protective, decorative coatings are applied on a continuous coating line with many paint types offered. Silicon modified polyesters are most commonly used.

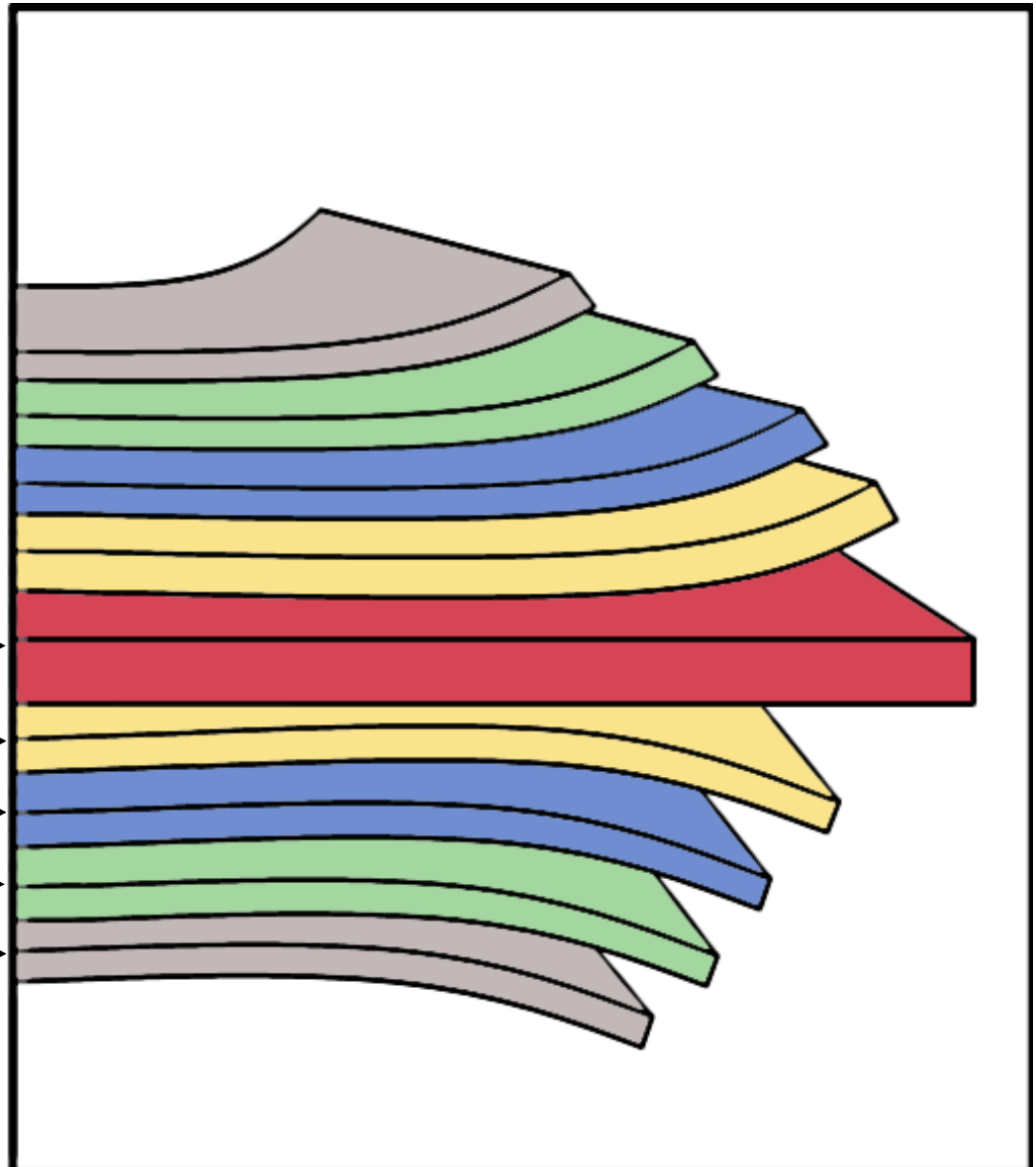
Base Metal →

Zinc Coating →

Pre-Treatment Coating →

Primer Coating →

Top Coating →



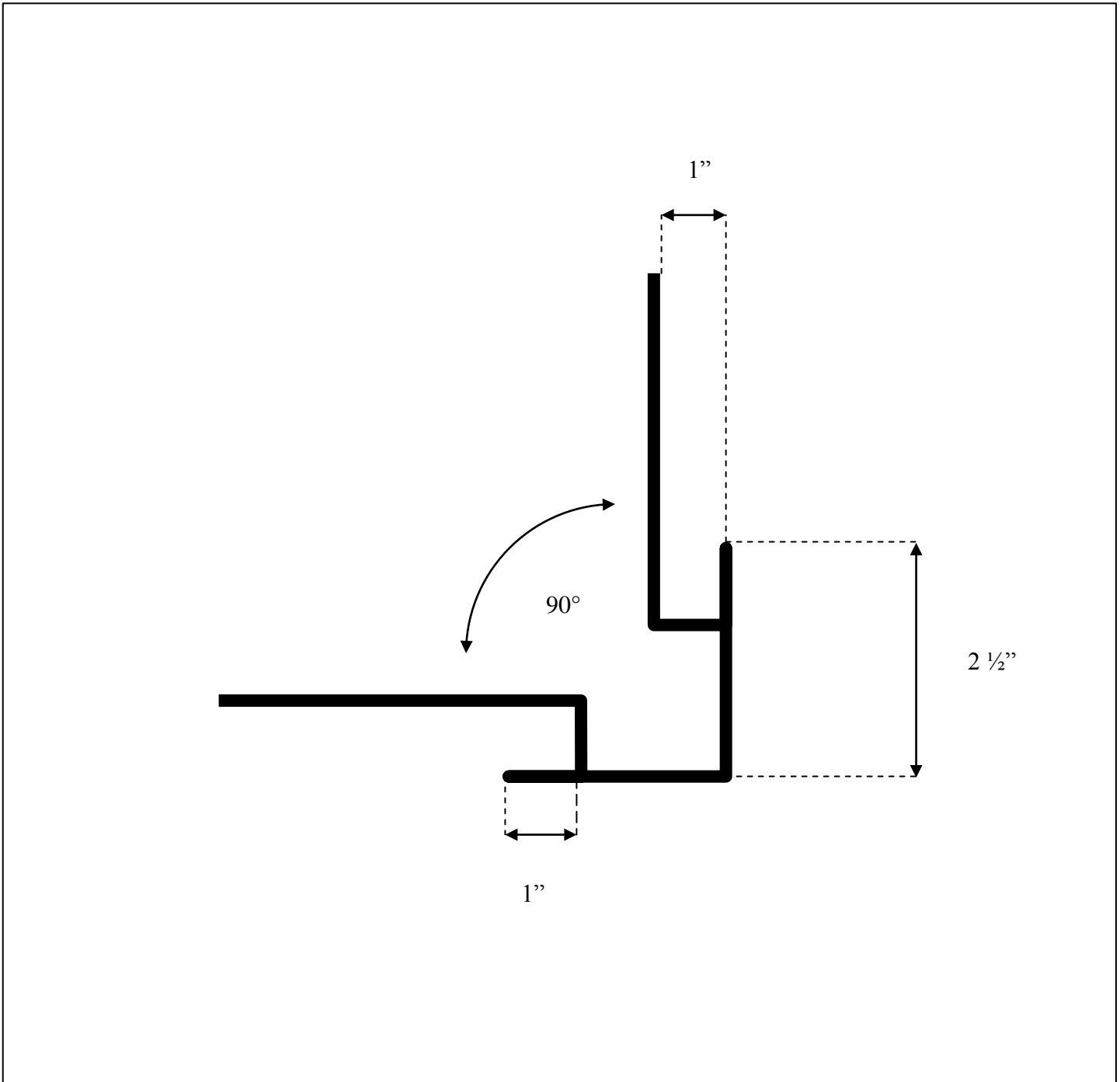
## Related Products

### GALVALUME

- Galvalume is characterized by a smaller spangle appearance and is intended for both internal and external applications.
- Galvalume is distinctive with a smooth fine spangle and a silvery metallic appearance.
- The most common coating is AZ150 (AZ50) and is available in regular spangle or extra smooth.
- Galvalume is supplied by meeting the general requirements of ASTM A-792/792M

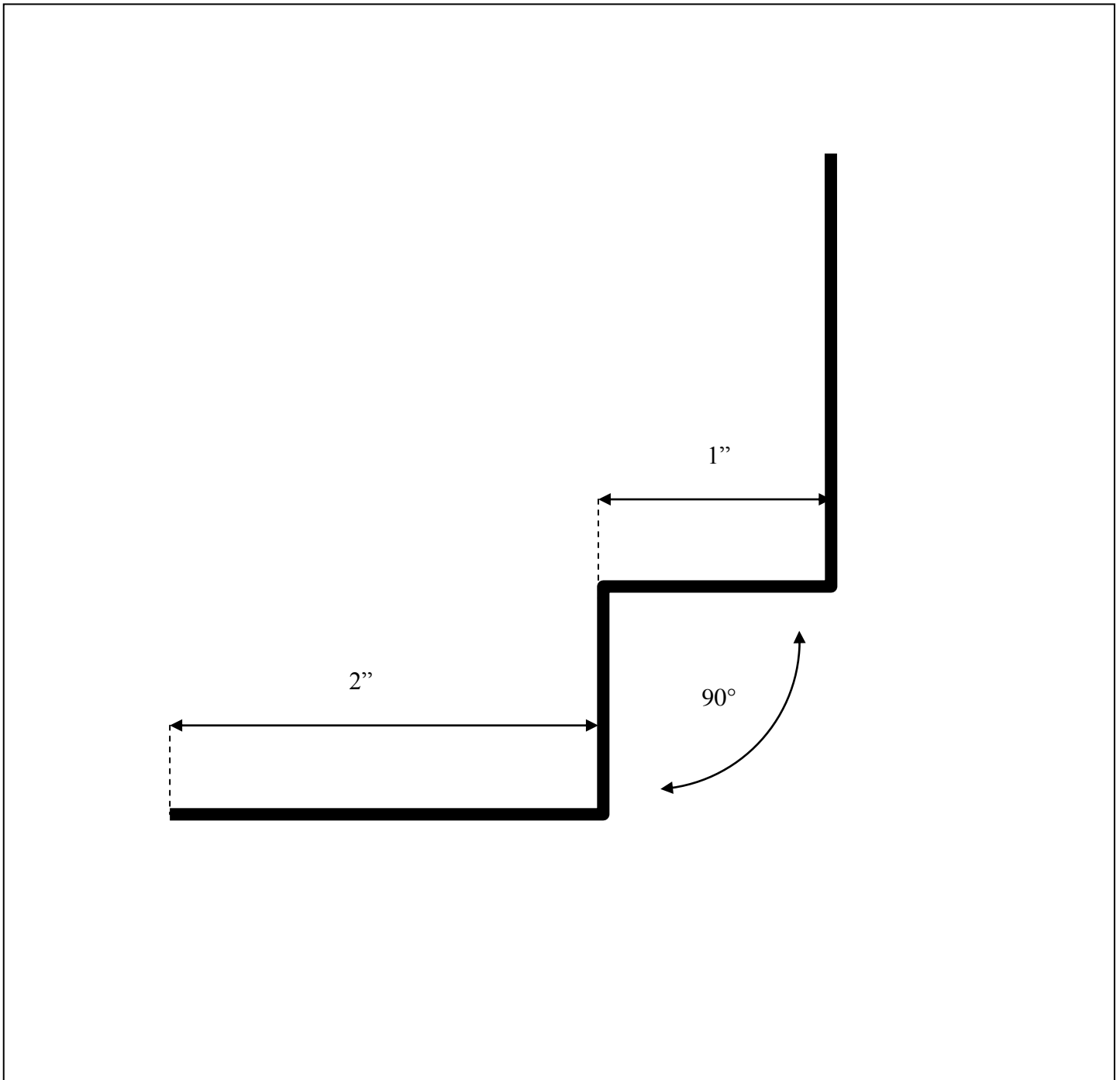
### GALVANIZED

- Galvanized is supplied with a chemically treated surface to retard storage skin.
- Coating consists of a zinc layer on top of a mixture of compounds containing iron, aluminum and zinc. The most common surface quality is known as regular spangle. Minimized spangle and zero spangle are also available.
- Galvanized is intended for both external and internal uses.
- Galvanized is supplied by meeting the general requirements of ASTM A-653/653M



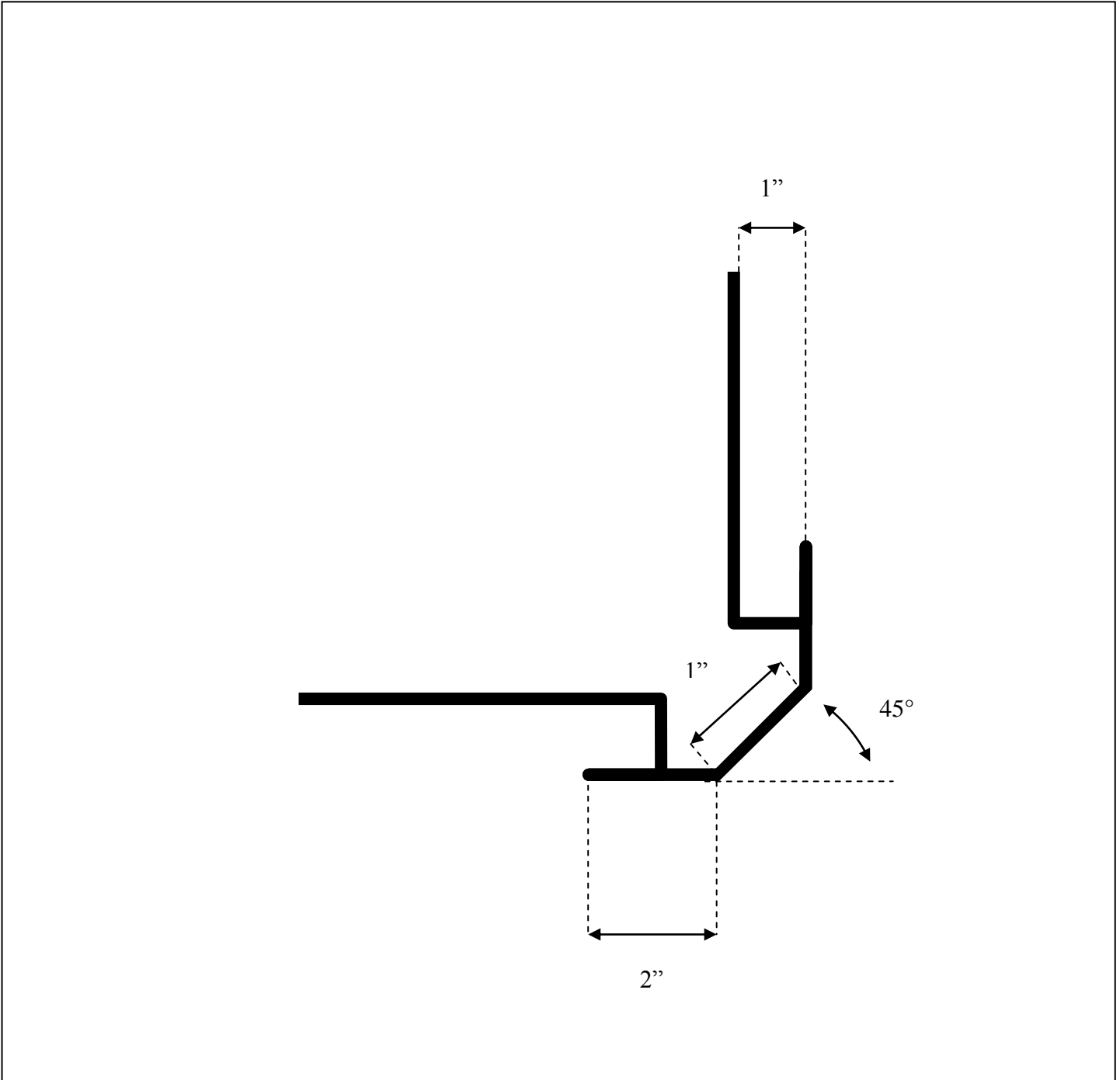
## Full Outside Corner

Item #



## W Inside Corner

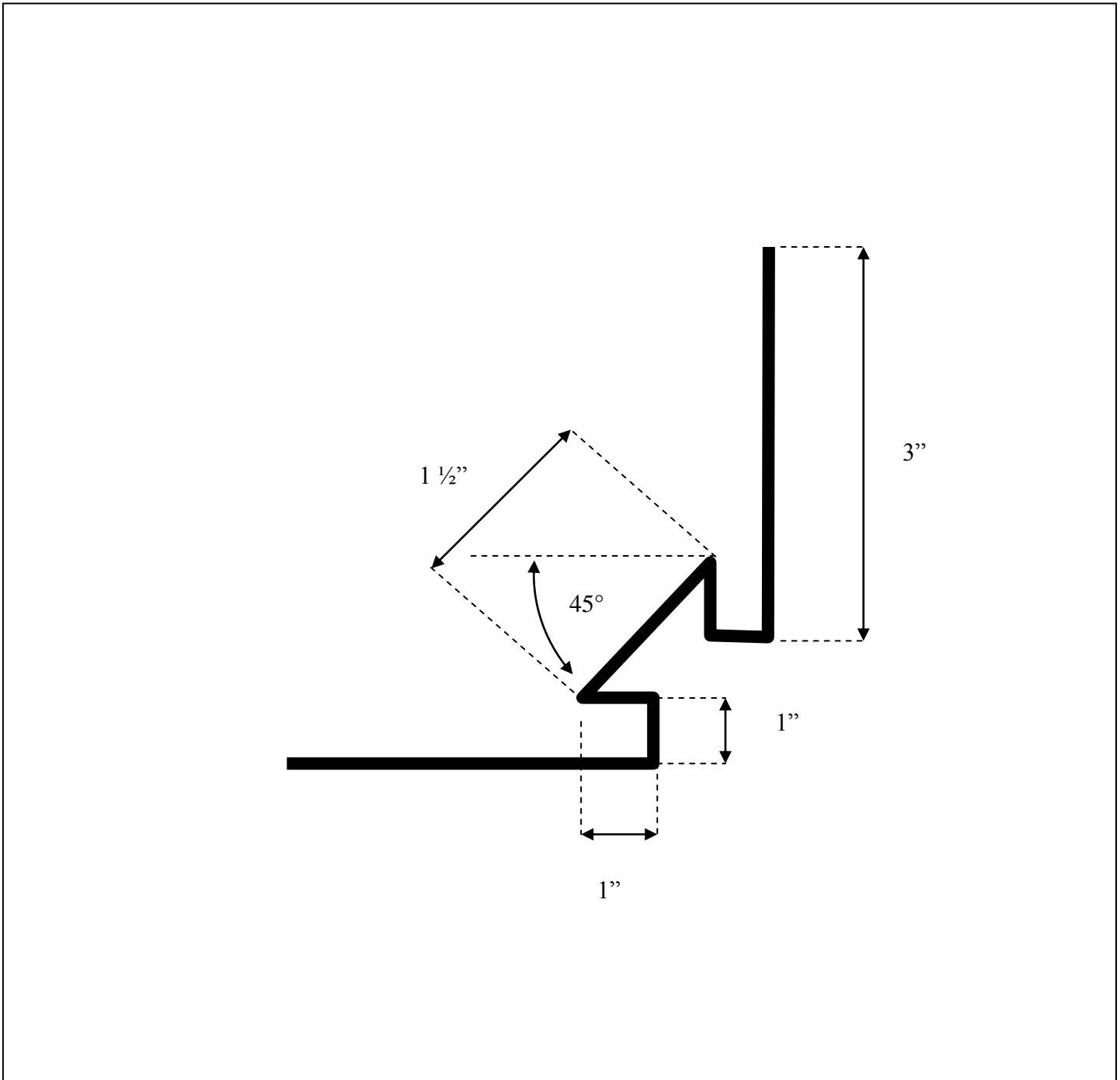
Item # \_\_\_\_\_



## Soft Edge Corner

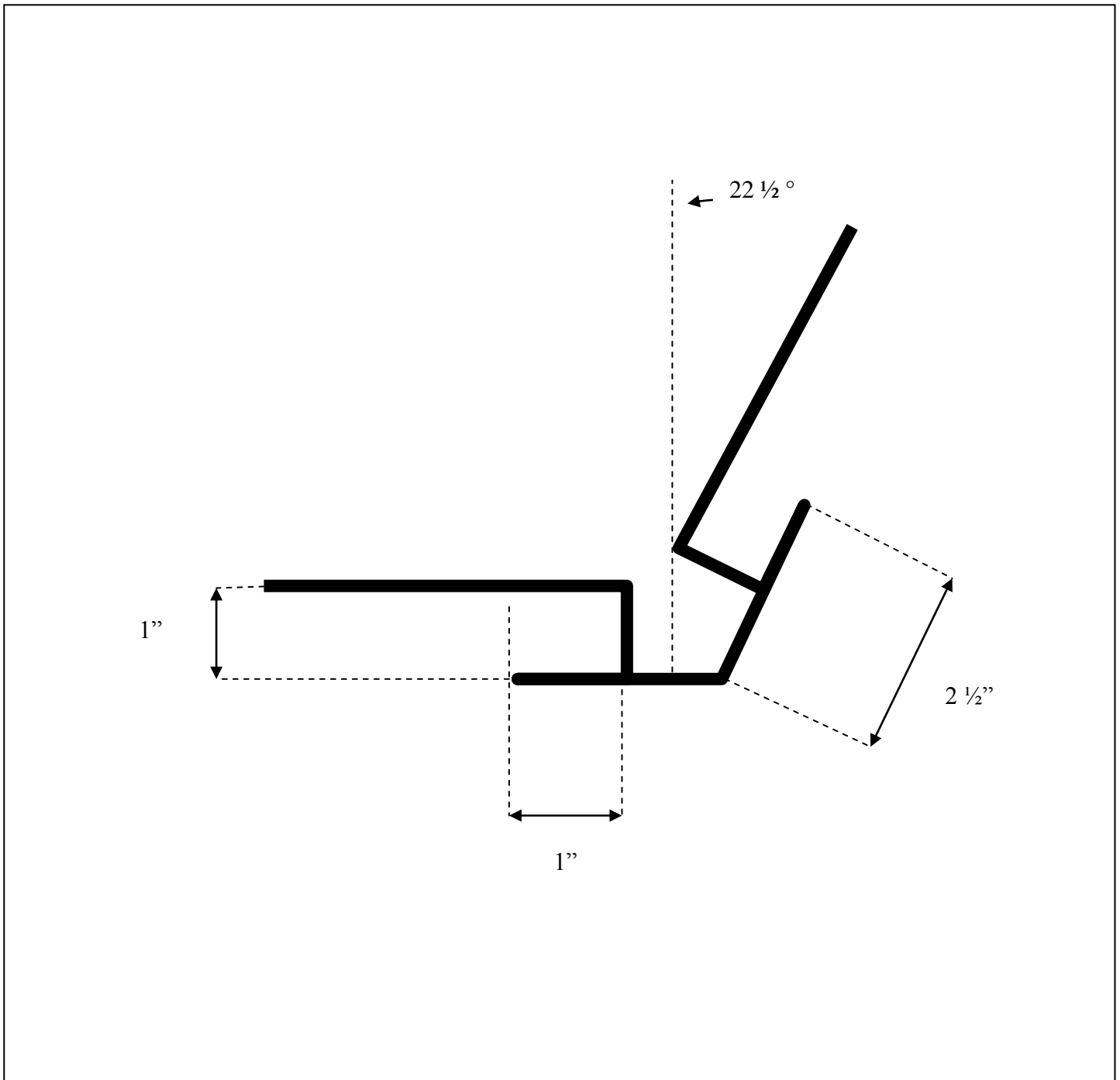
Item #





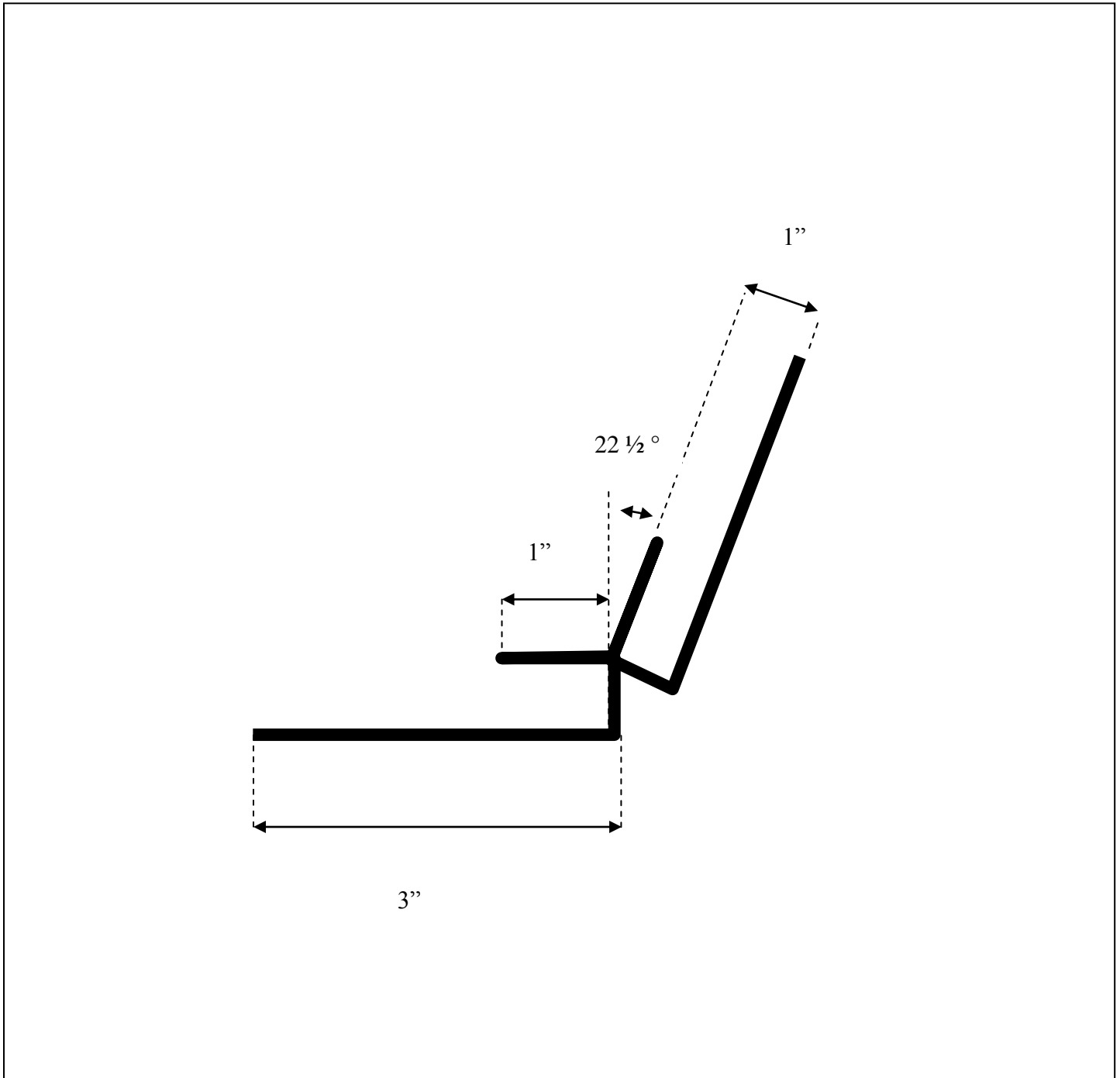
## Soft Inside Corner

Item #



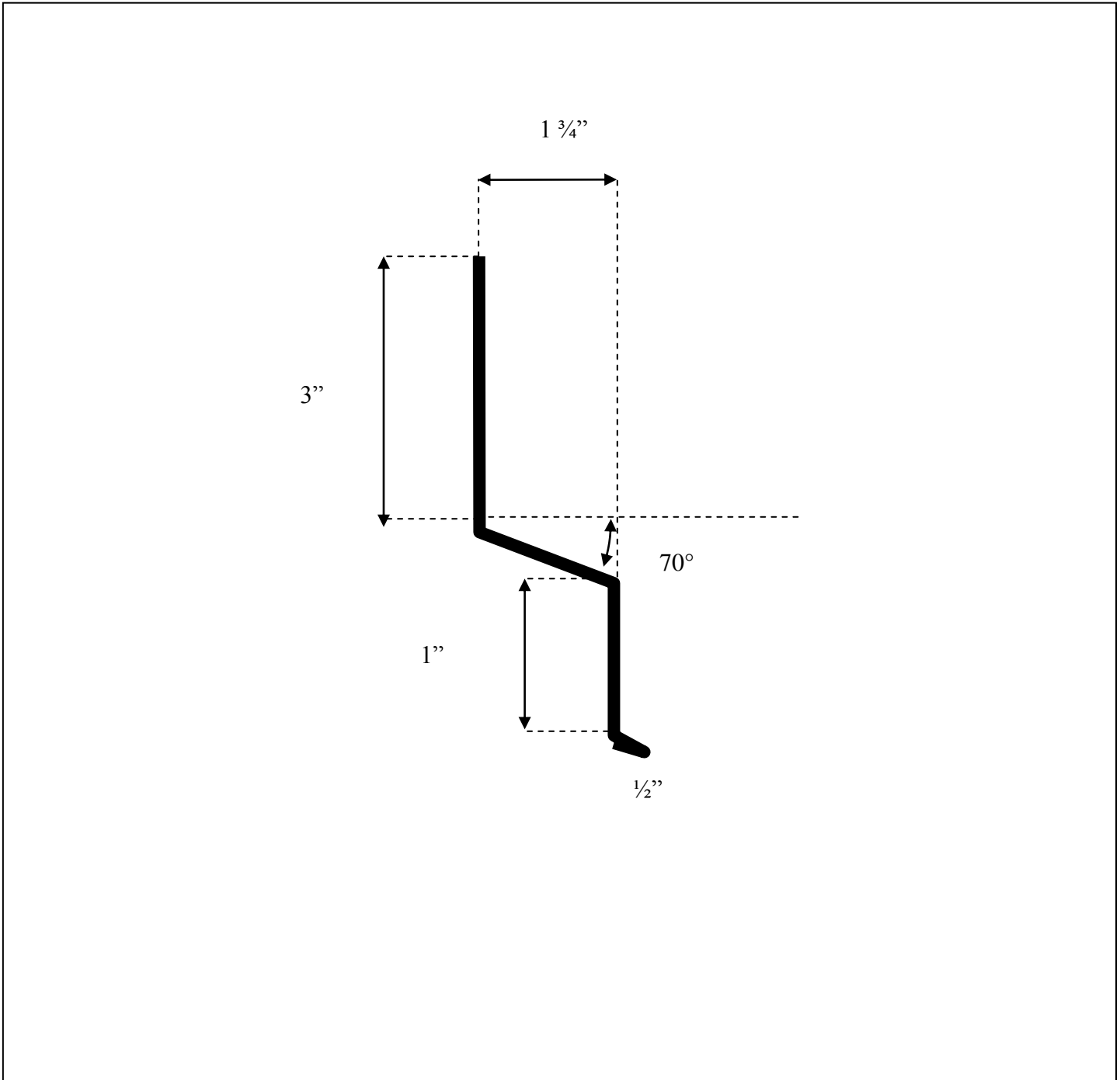
## 22 1/2° Outside Corner

Item #



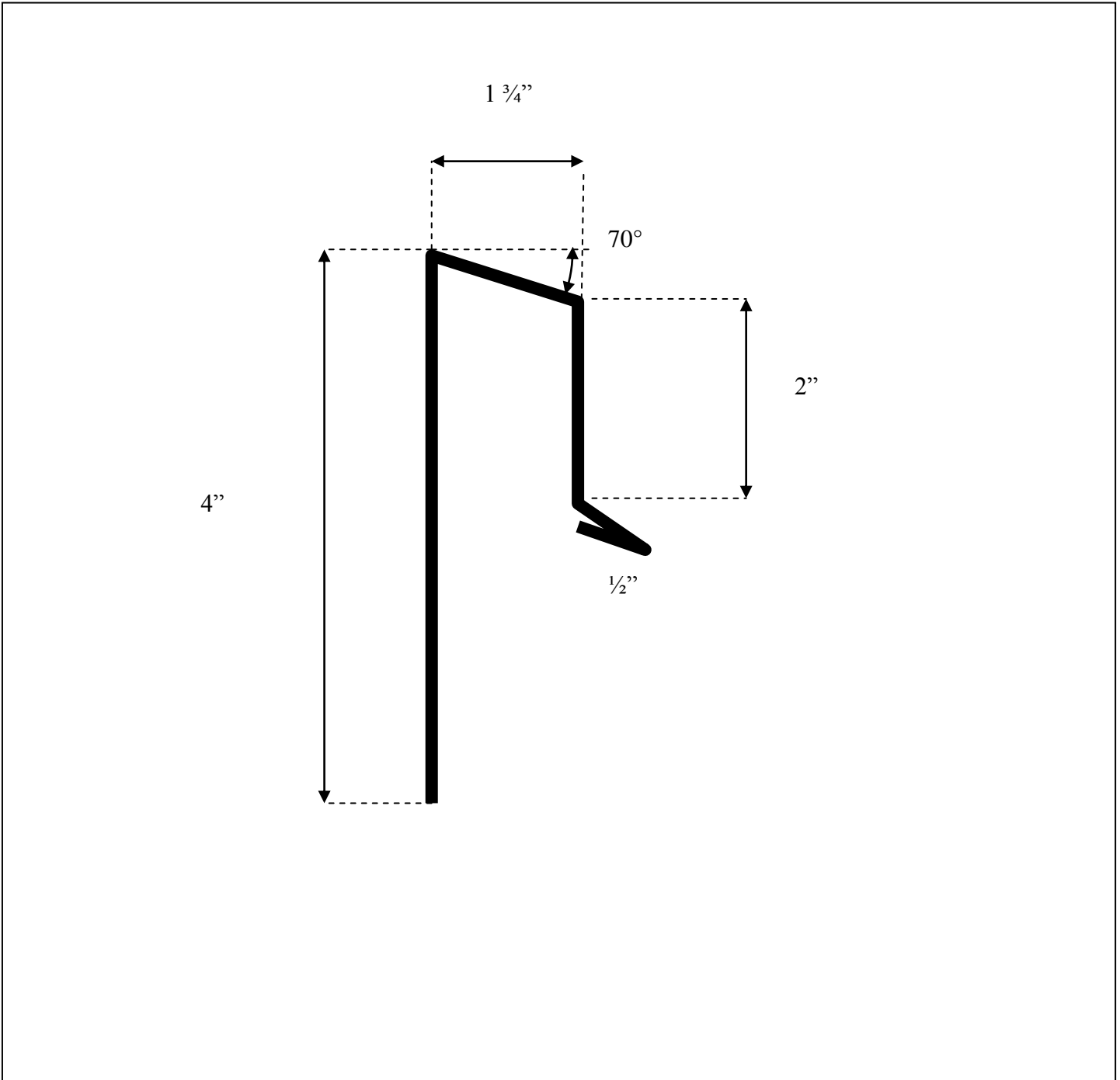
## 22 1/2° Inside Corner

Item #



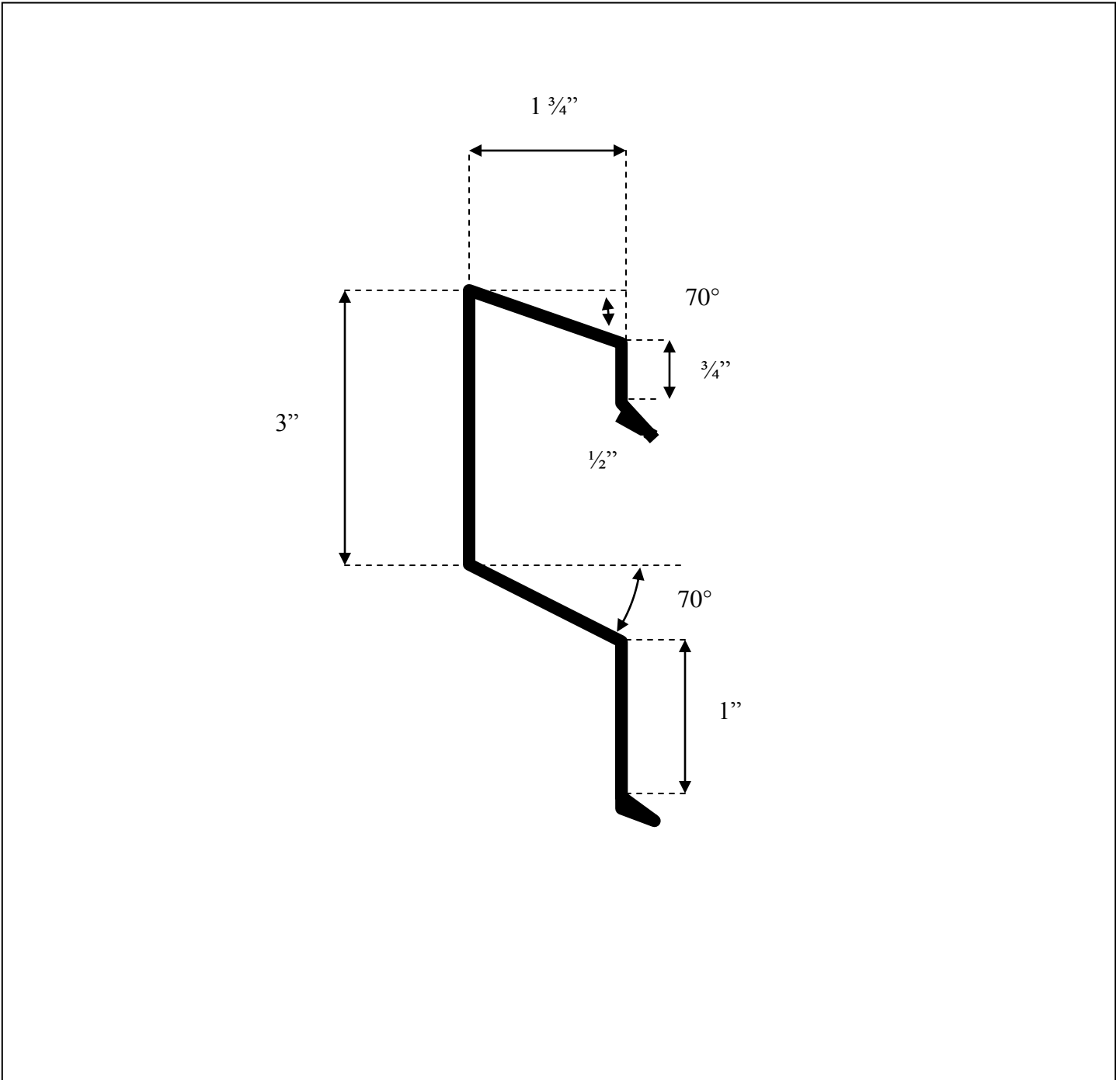
# Head Flashing

Item #



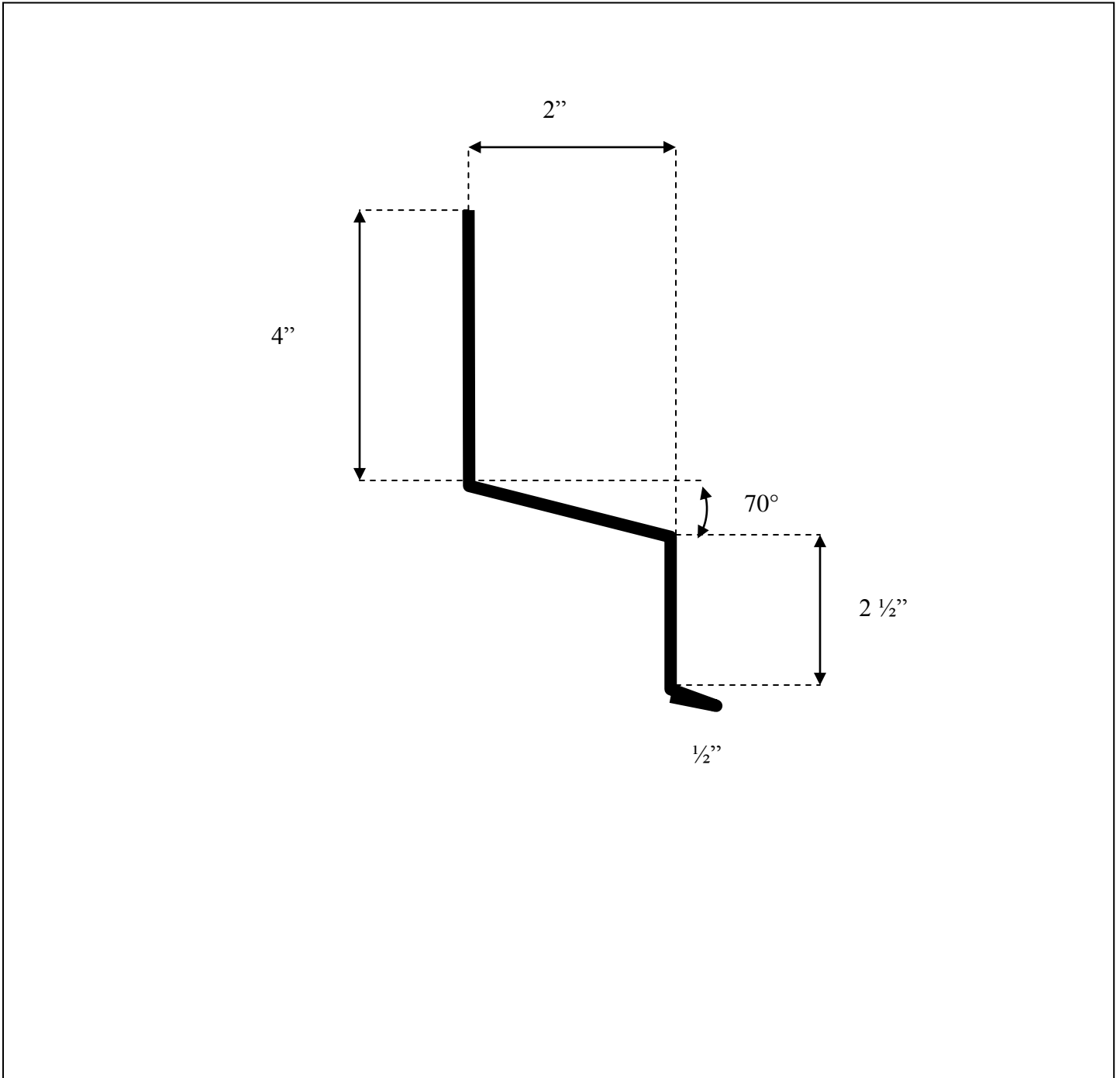
## Sill Flashing

Item #



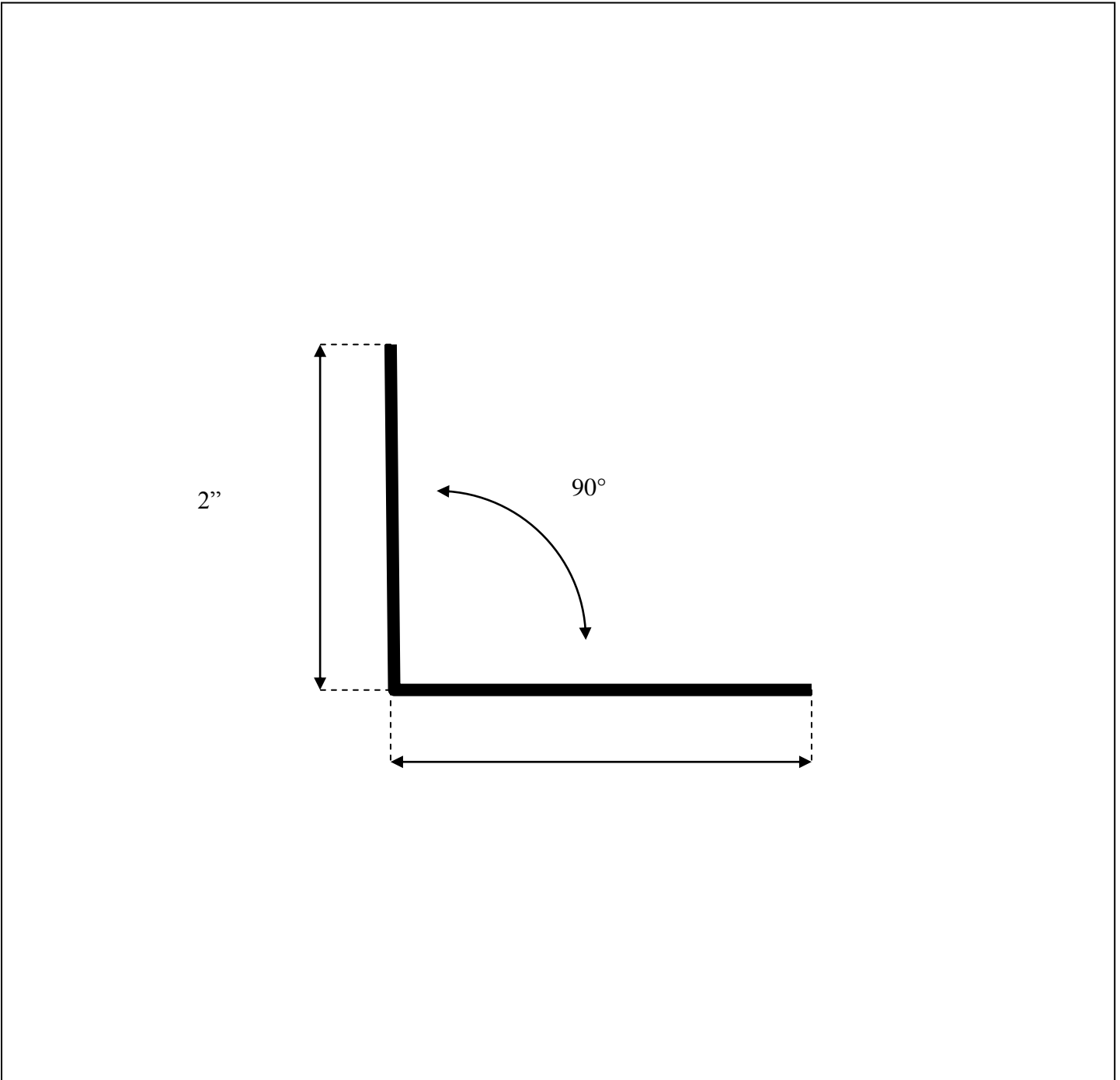
## Double Sill Flashing

Item #



# Thru Wall Flashing

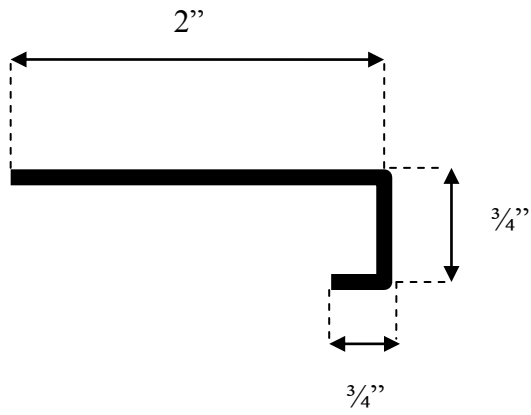
Item #



L Edge

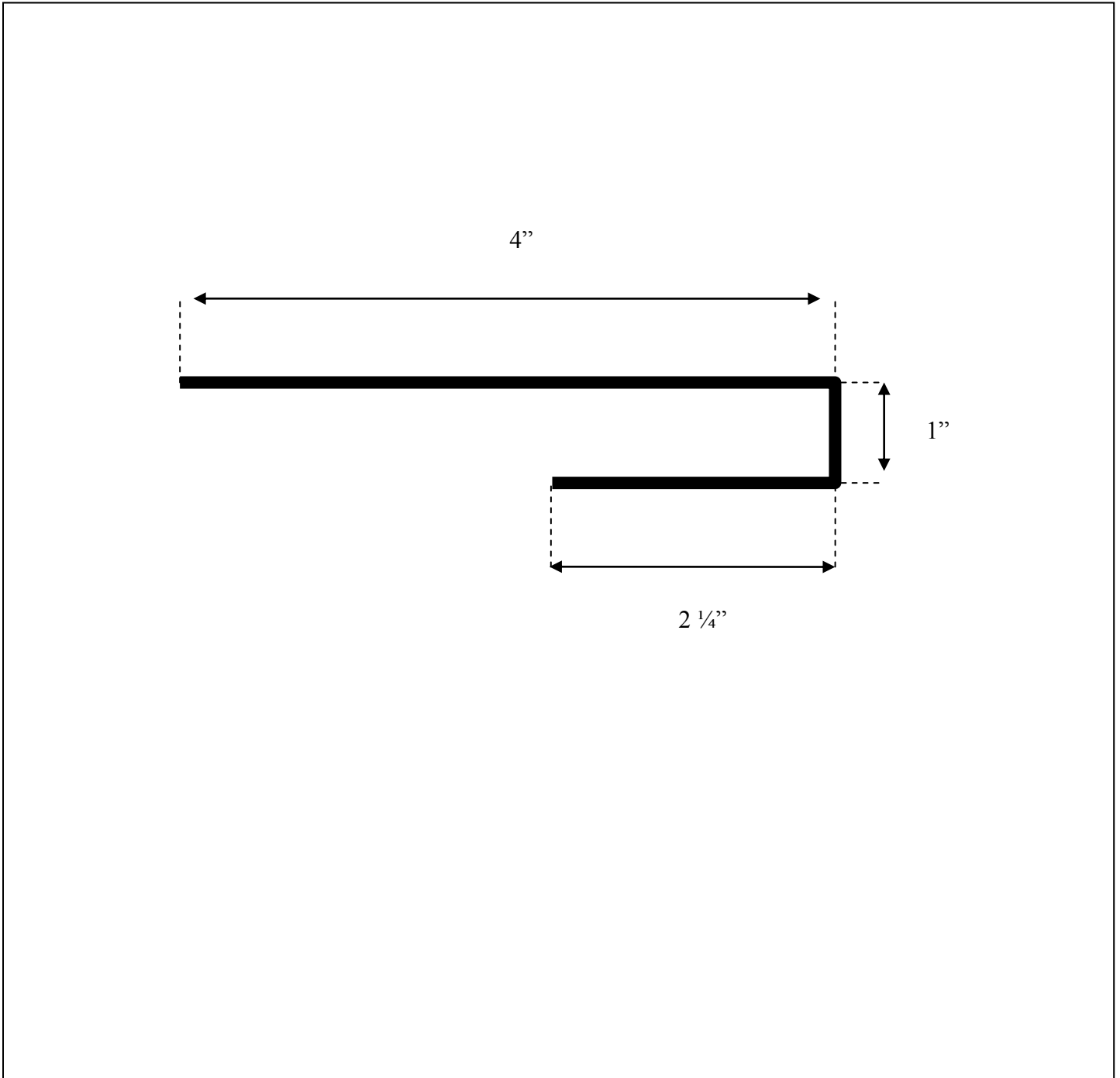
Item #





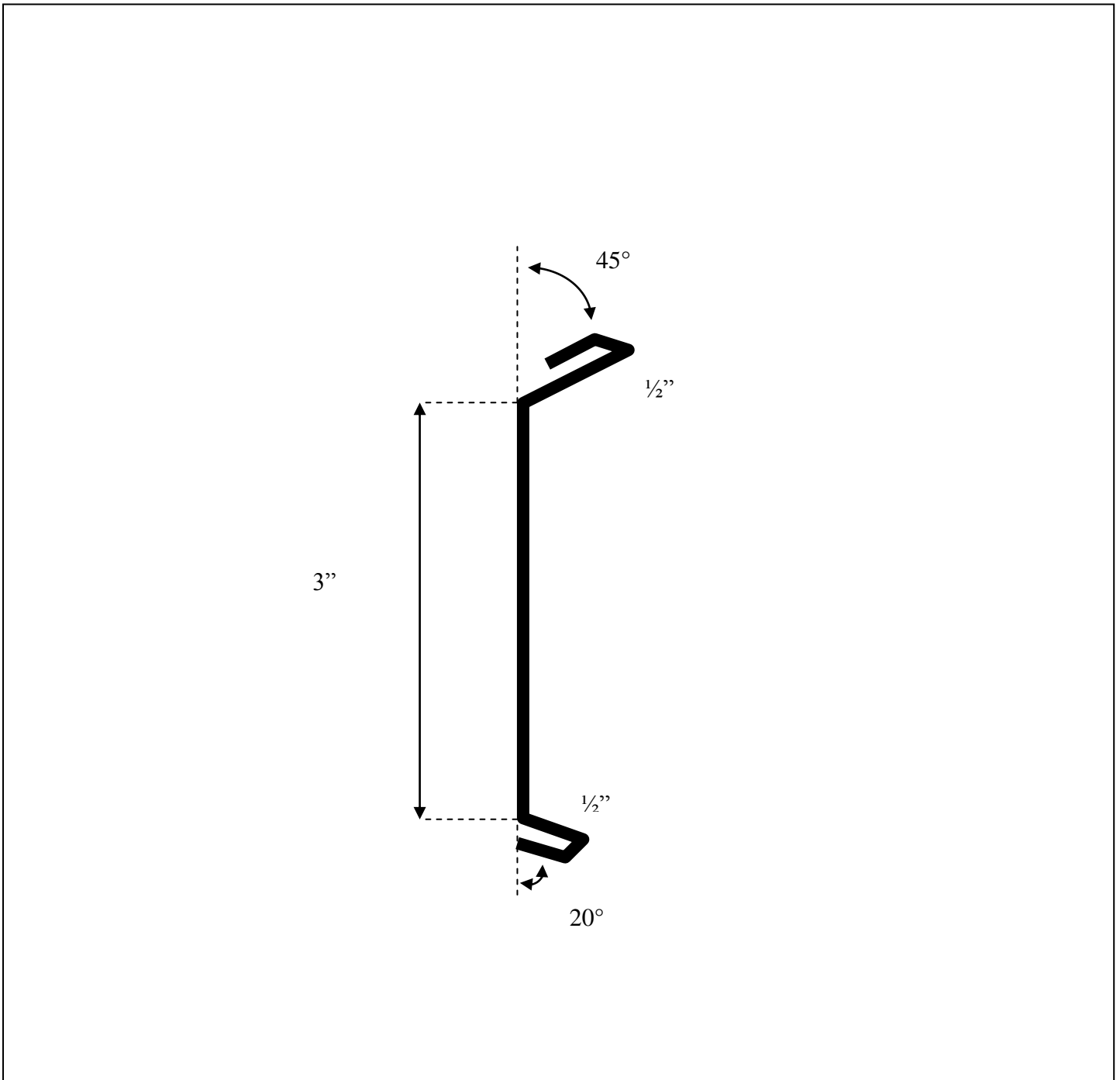
## Soffit J Trim

Item #



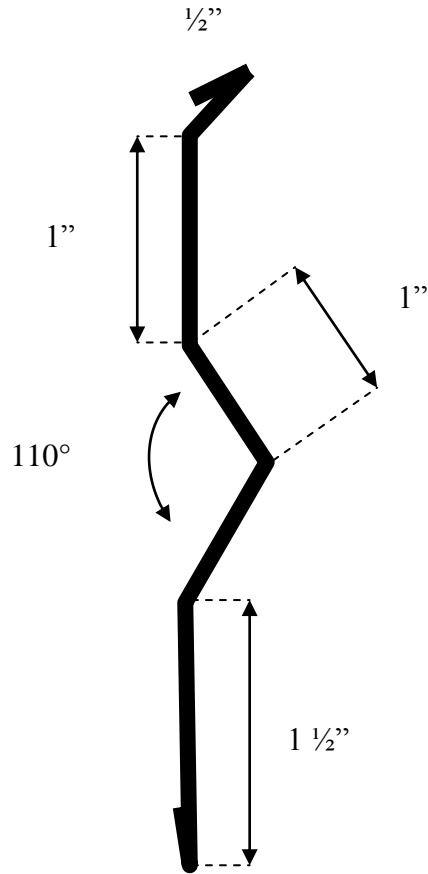
## Jamb Flashing

Item #



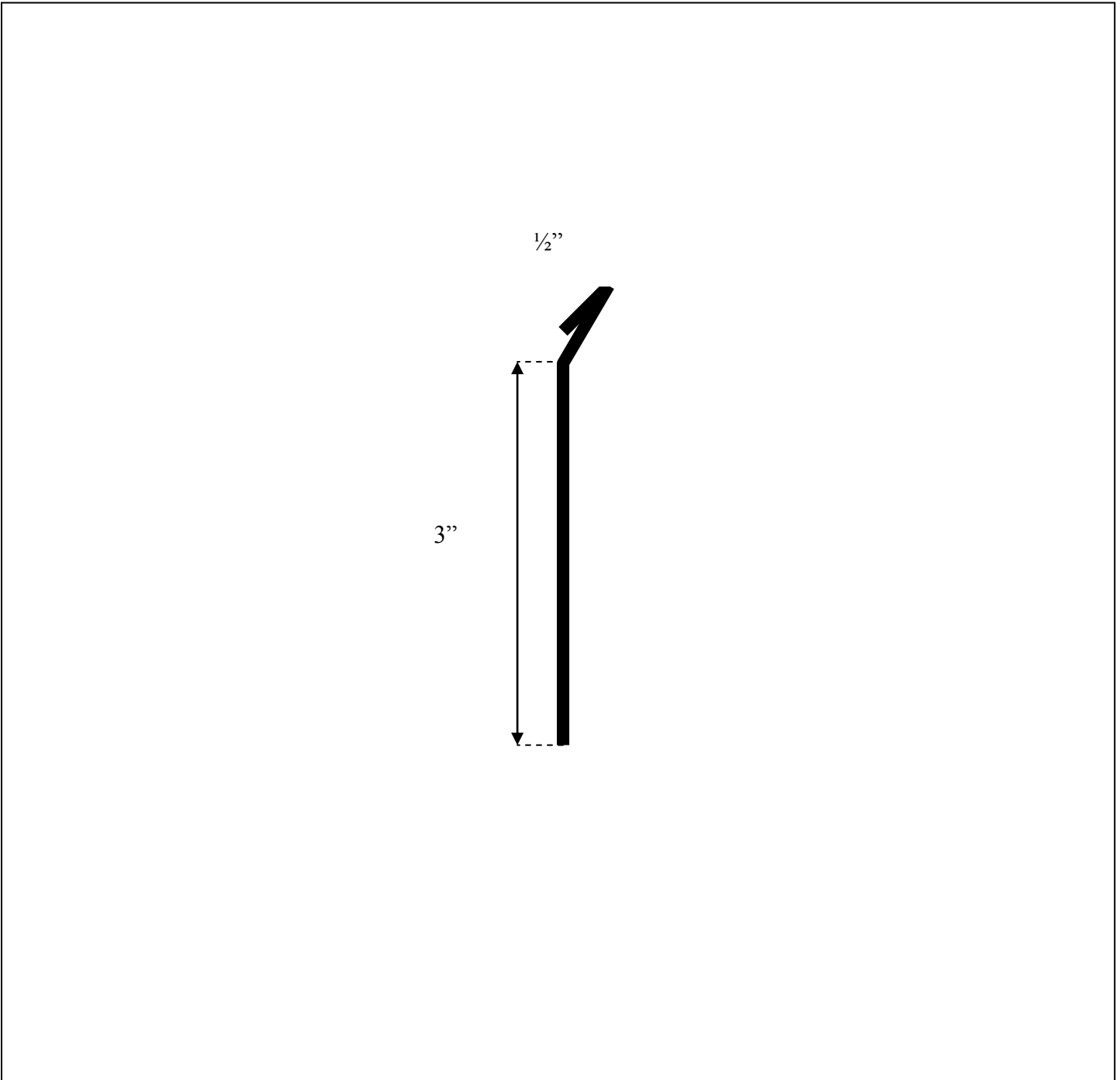
Gum Lip

Item #



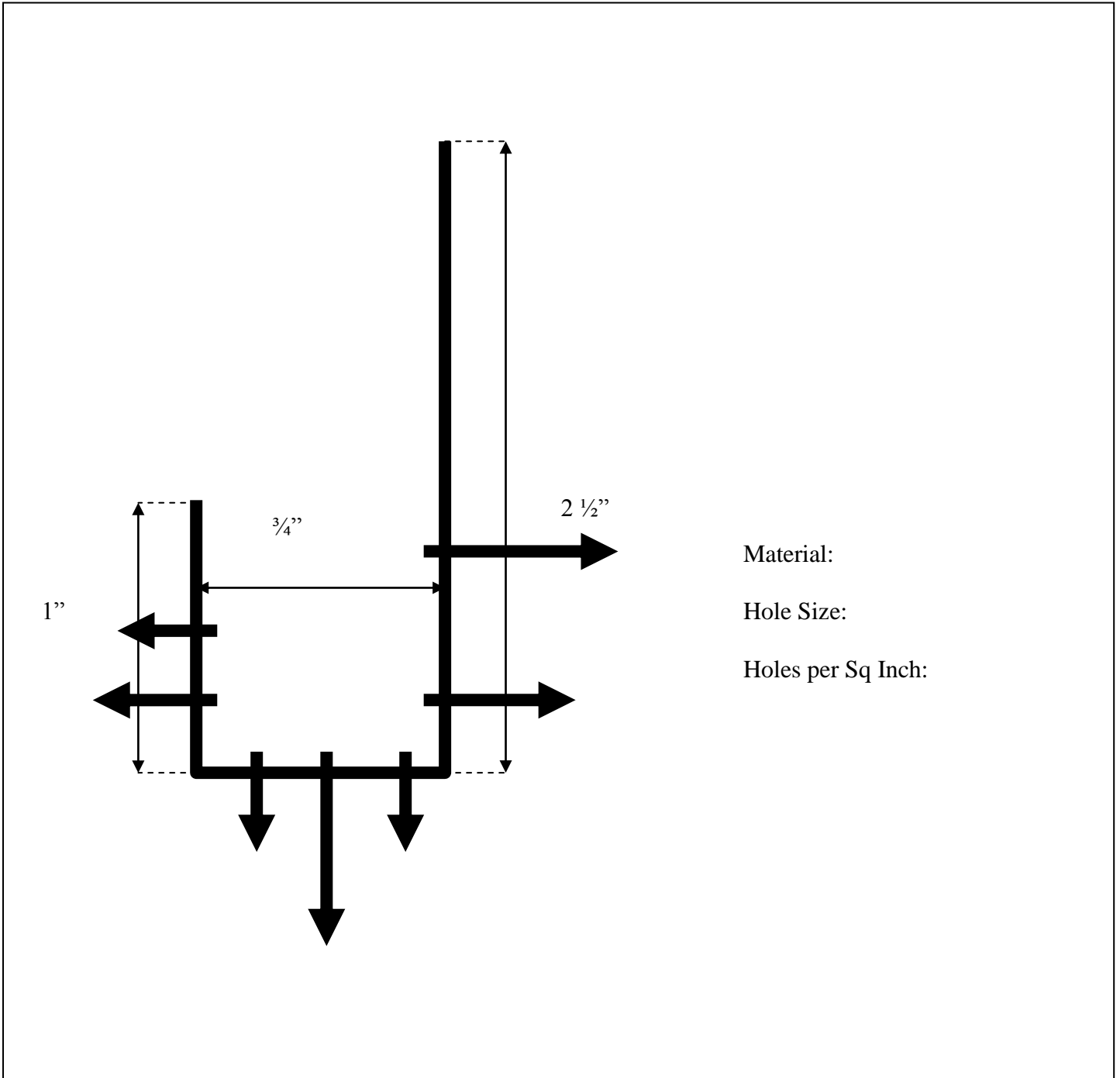
## Top Piece Double Gum Lip

Item #



# Starter Piece Double Gum Lip

Item #



Material:

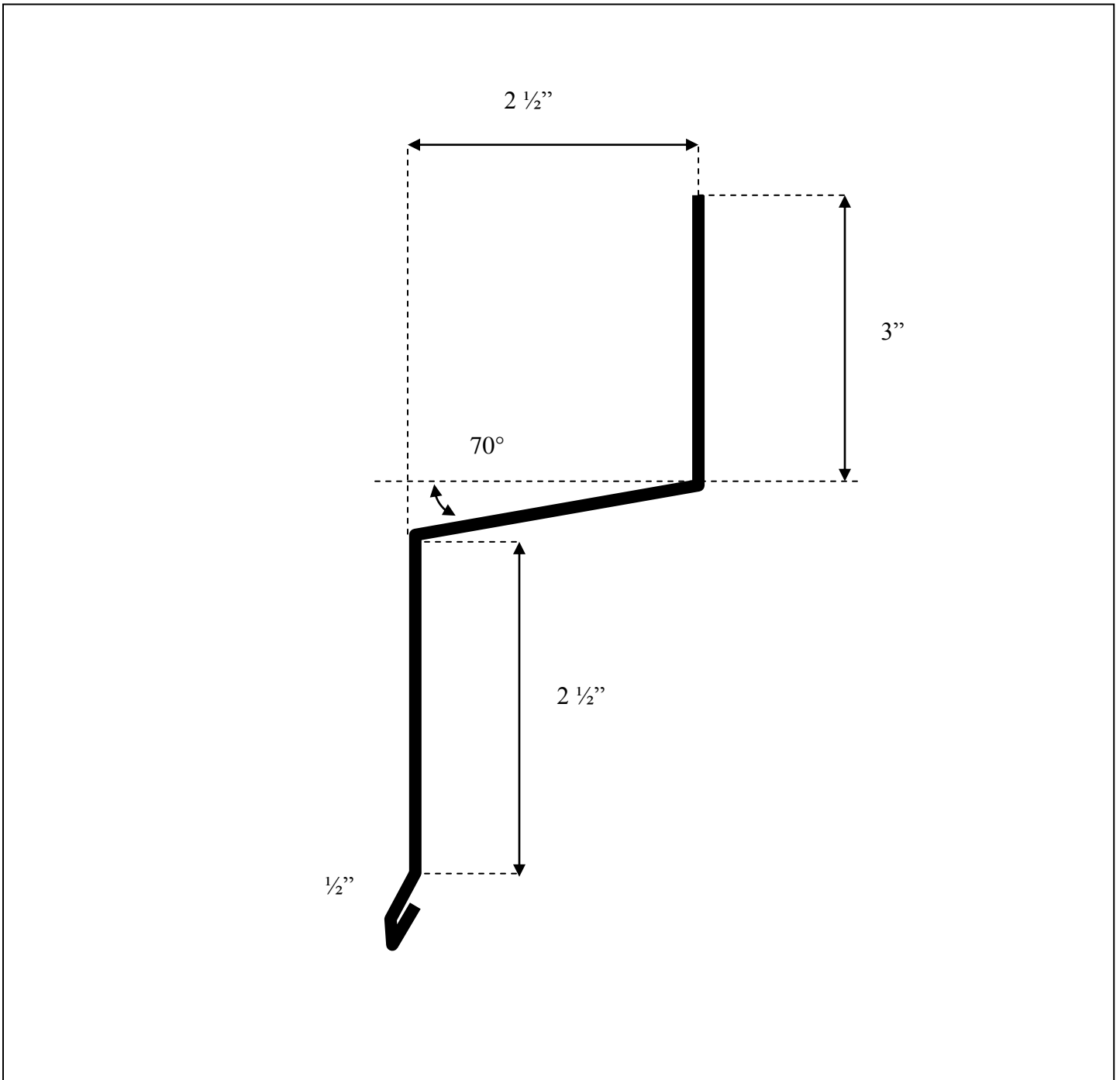
Hole Size:

Holes per Sq Inch:



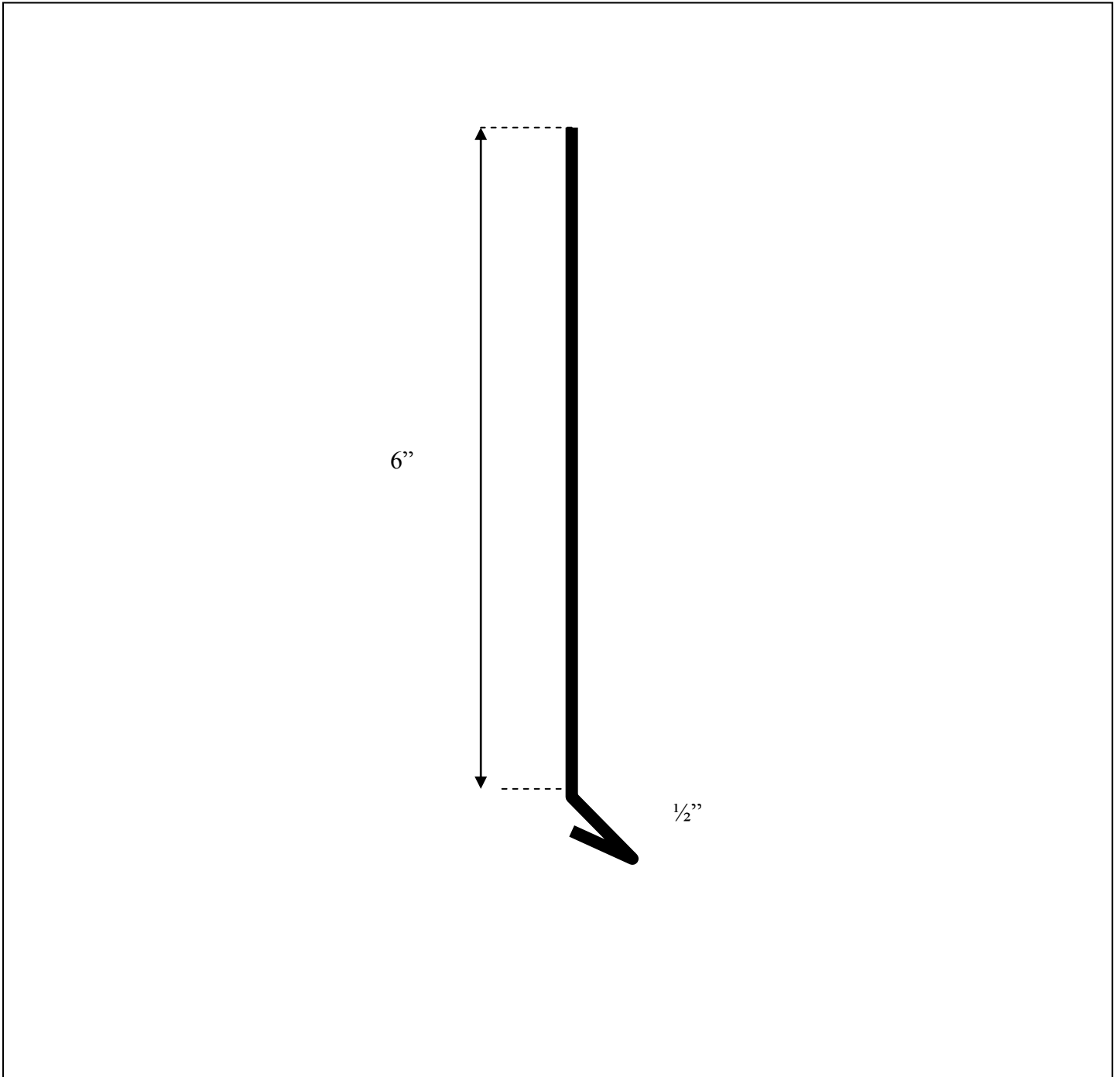
## Perforated J Mould

Item #



## Curb Base Flashing

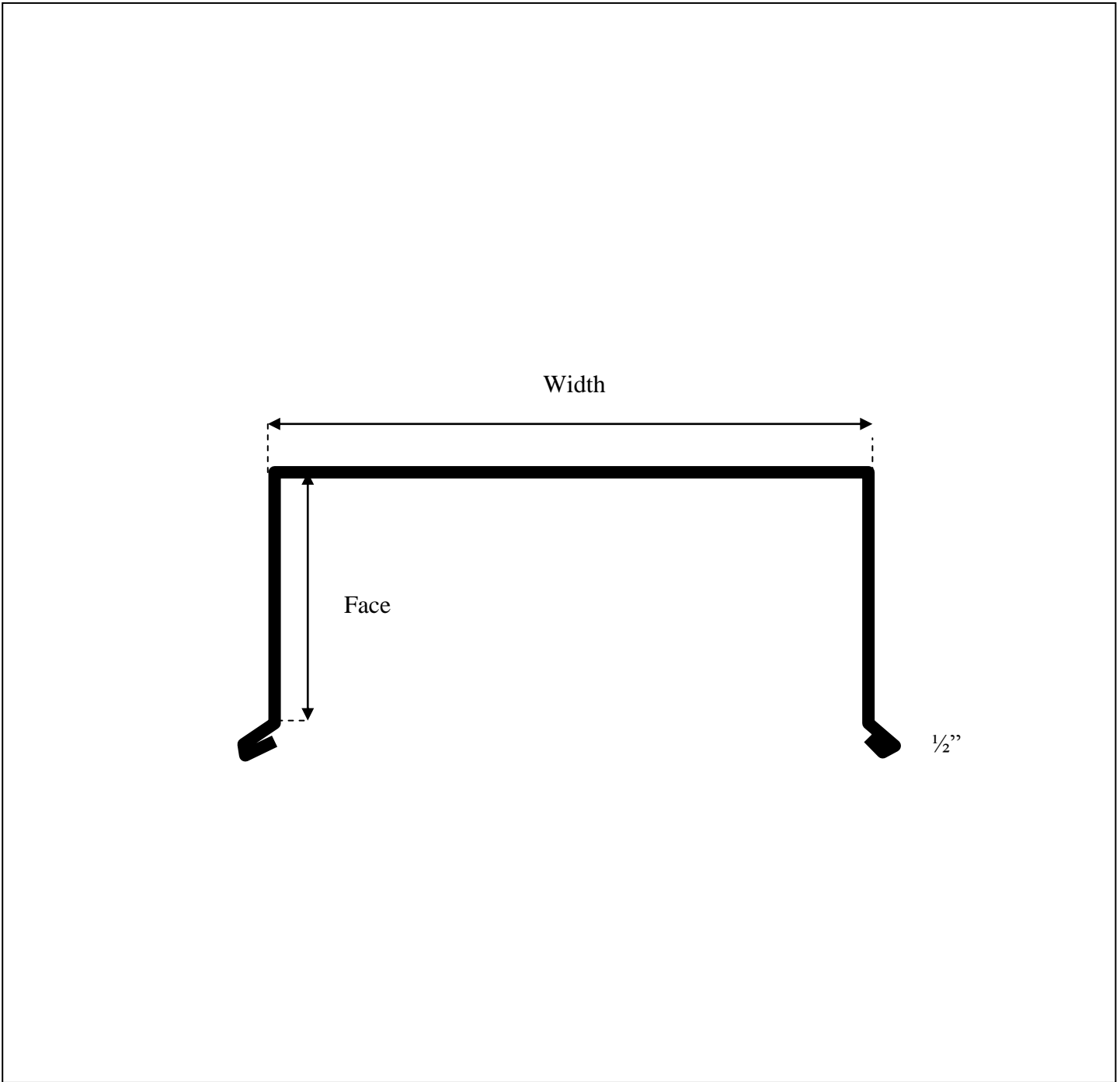
Item #



## Flat Base Flashing

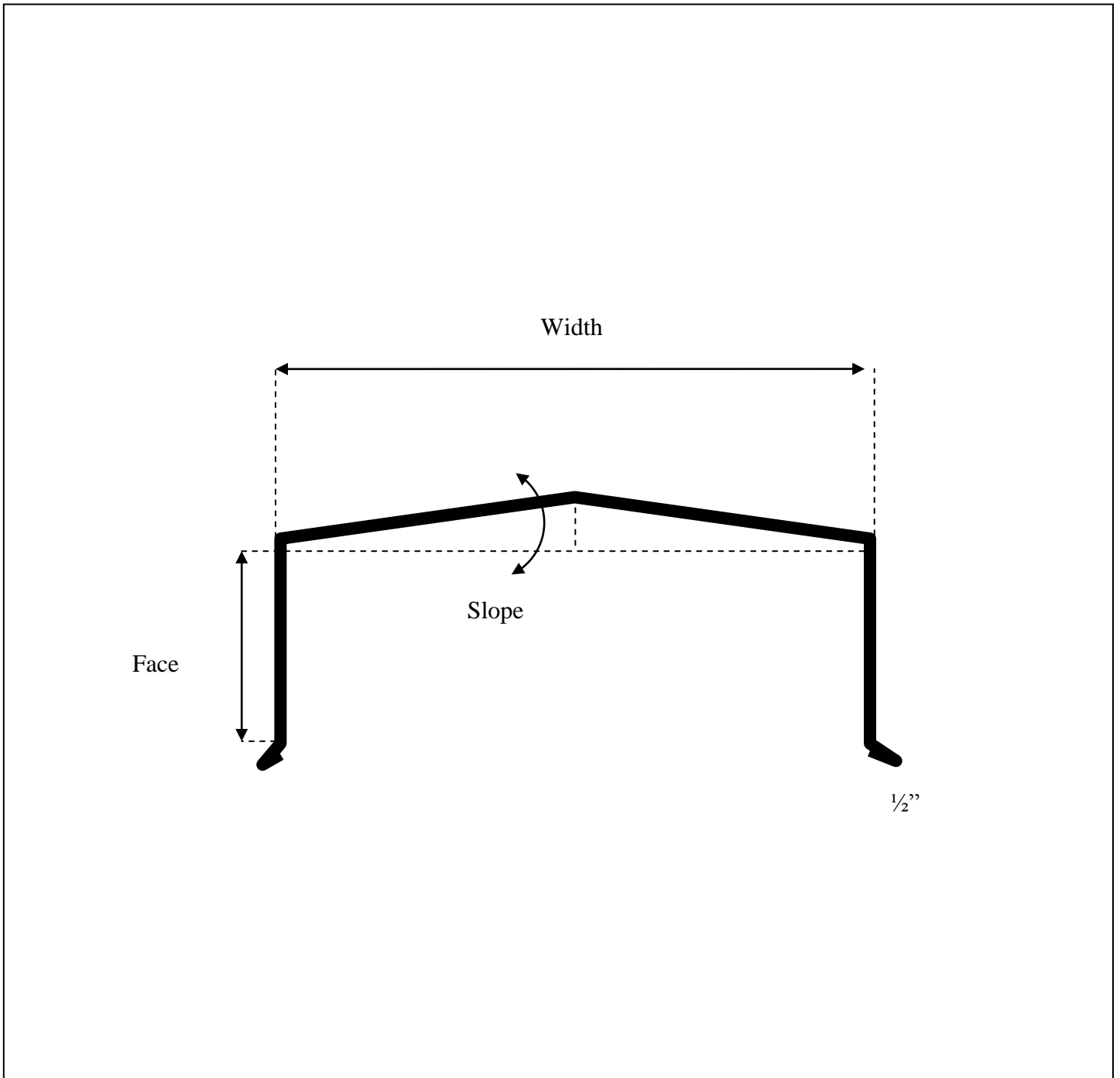
Item #





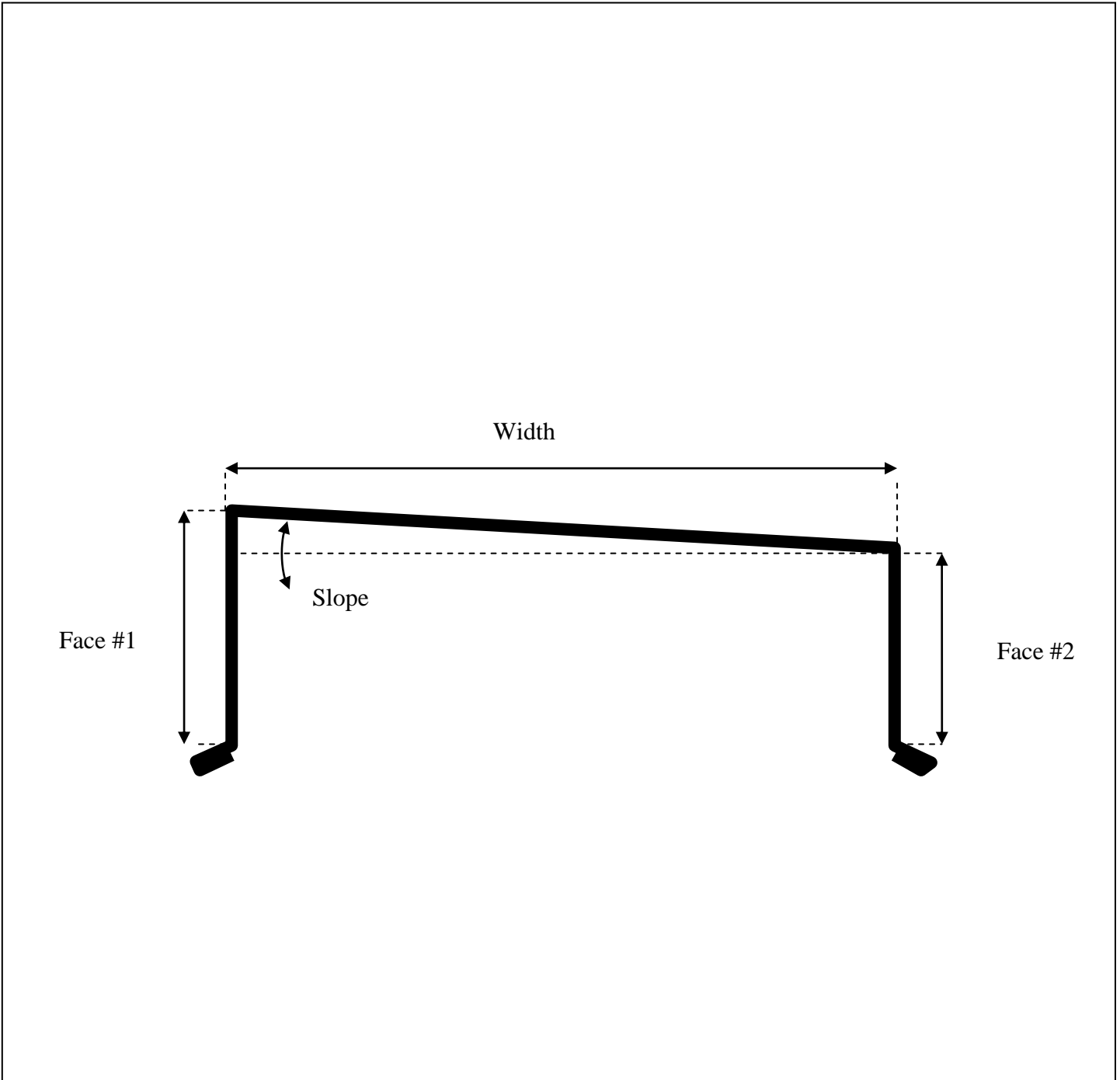
# Parapet Cap

Item #



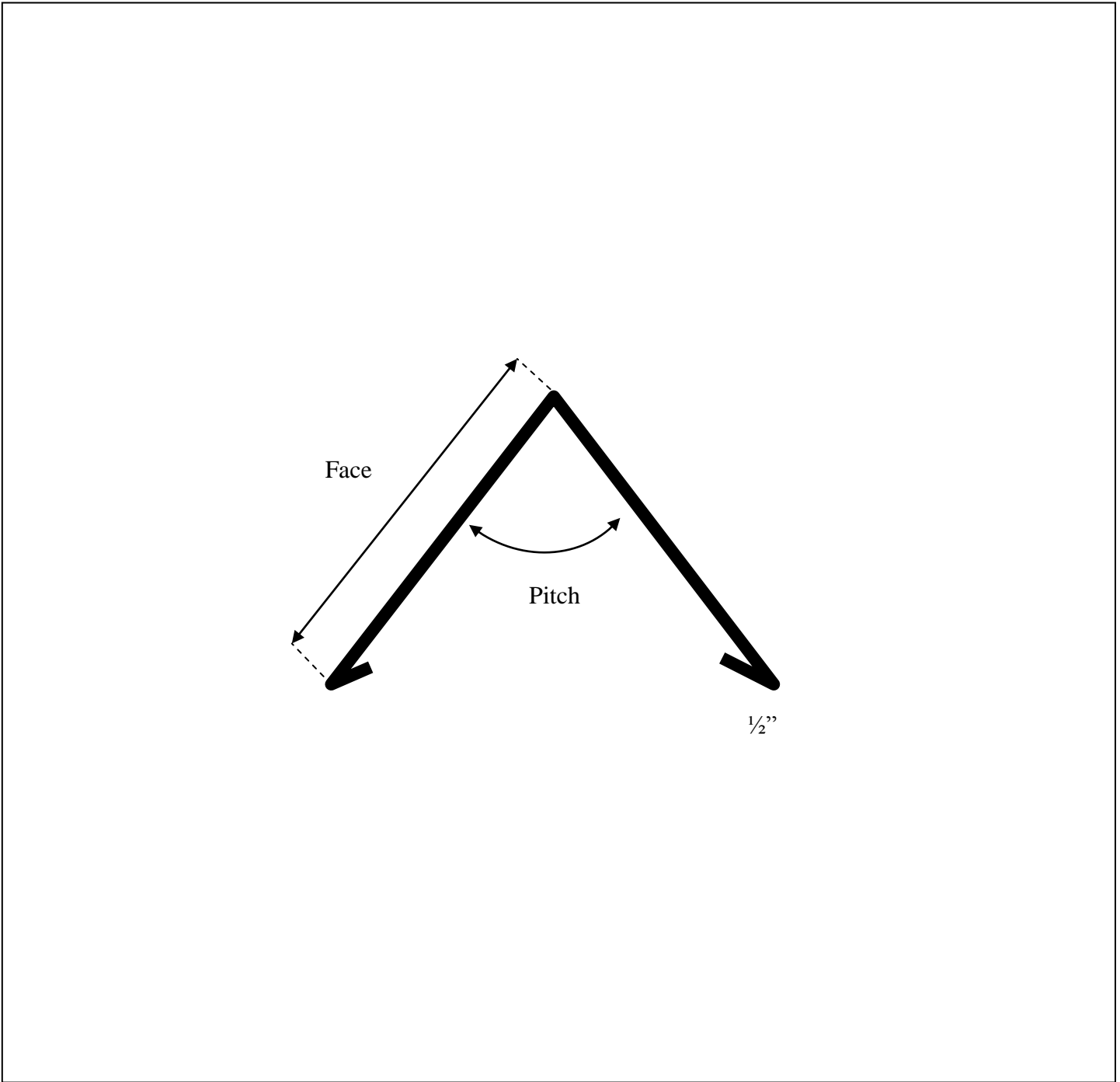
## Double Sloped Cap

Item #



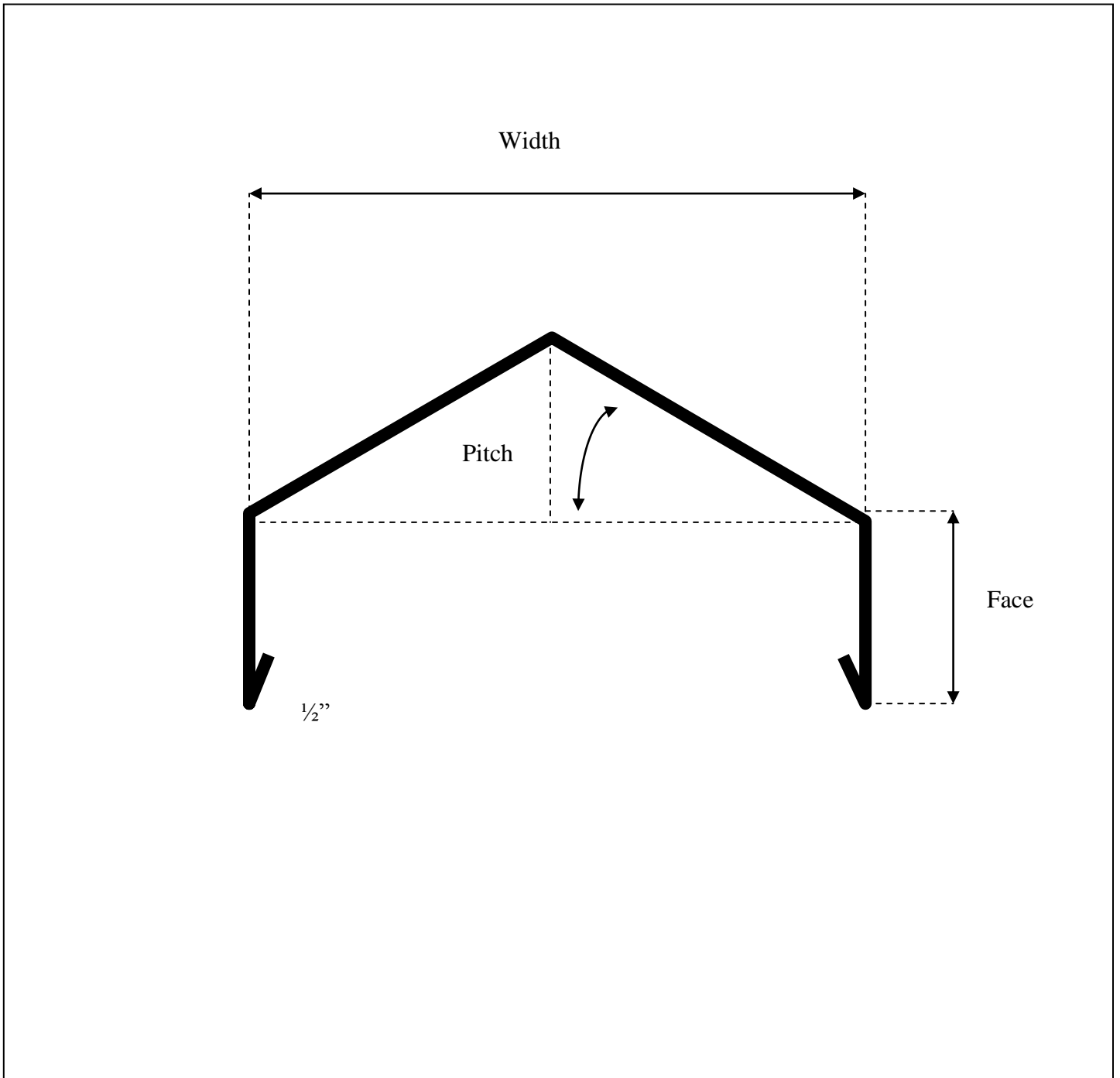
# Sloped Parapet Cap

Item #



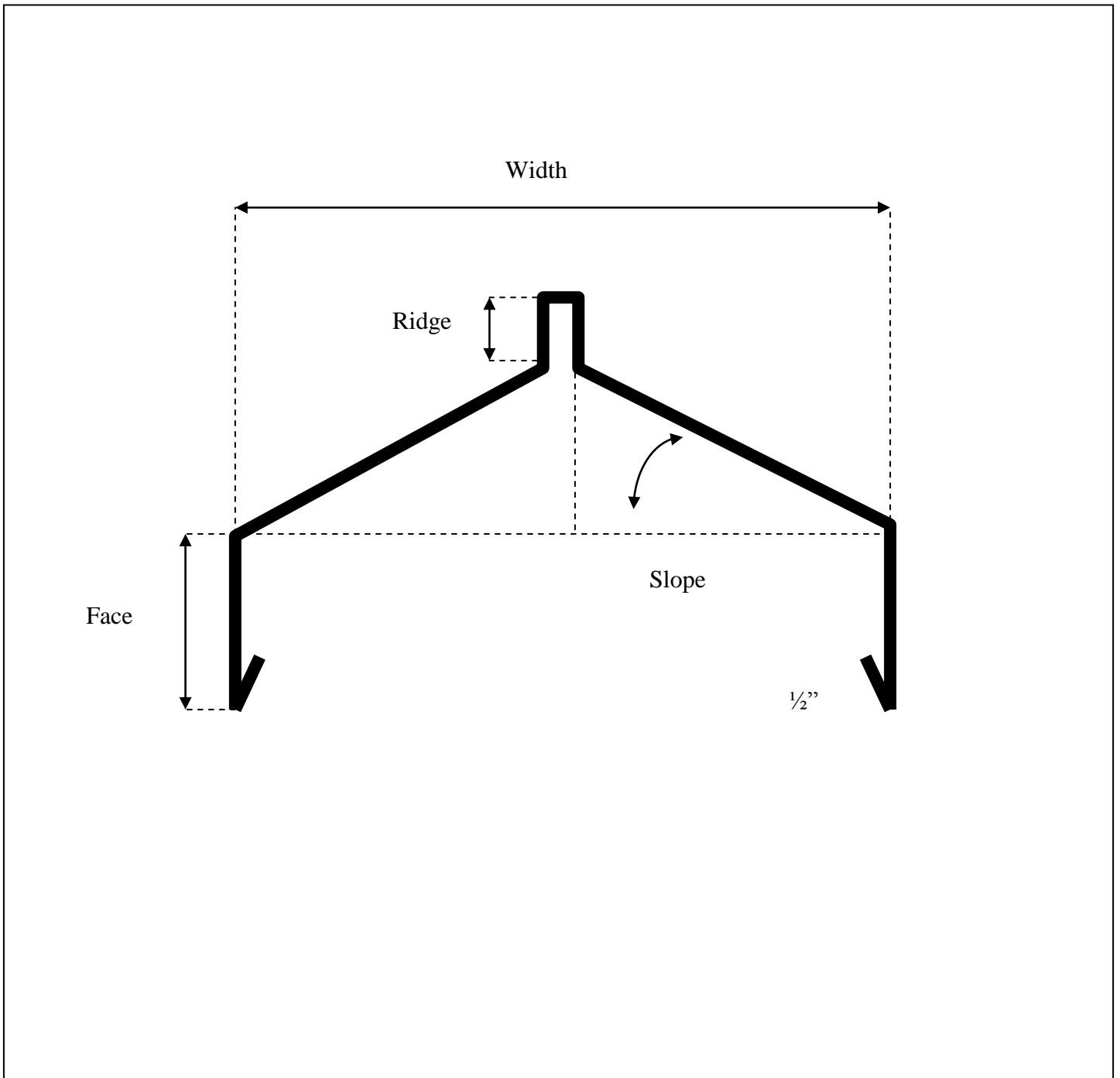
Item #

Ridge Cap



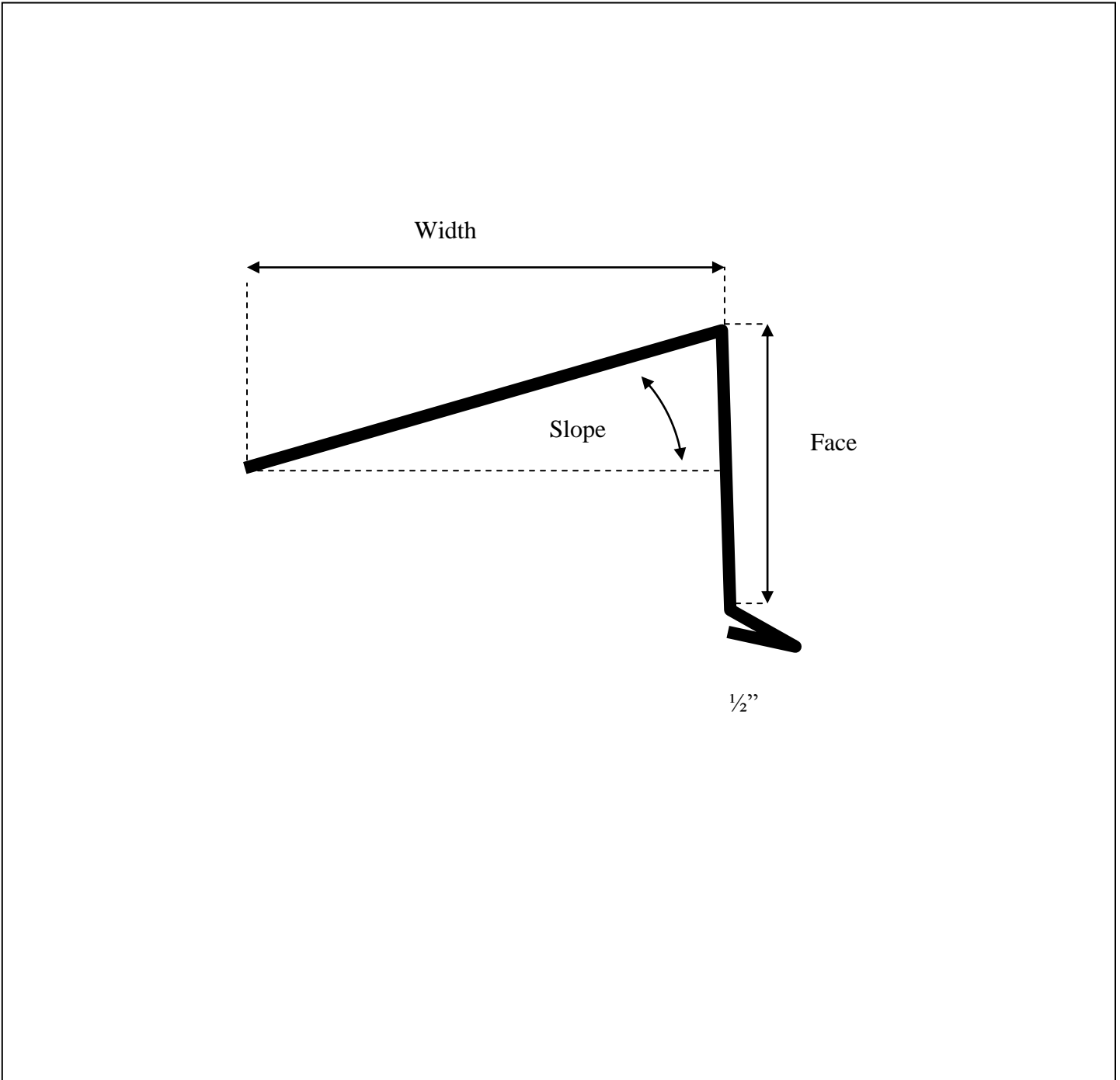
# Ridge Cap

Item # \_\_\_\_\_



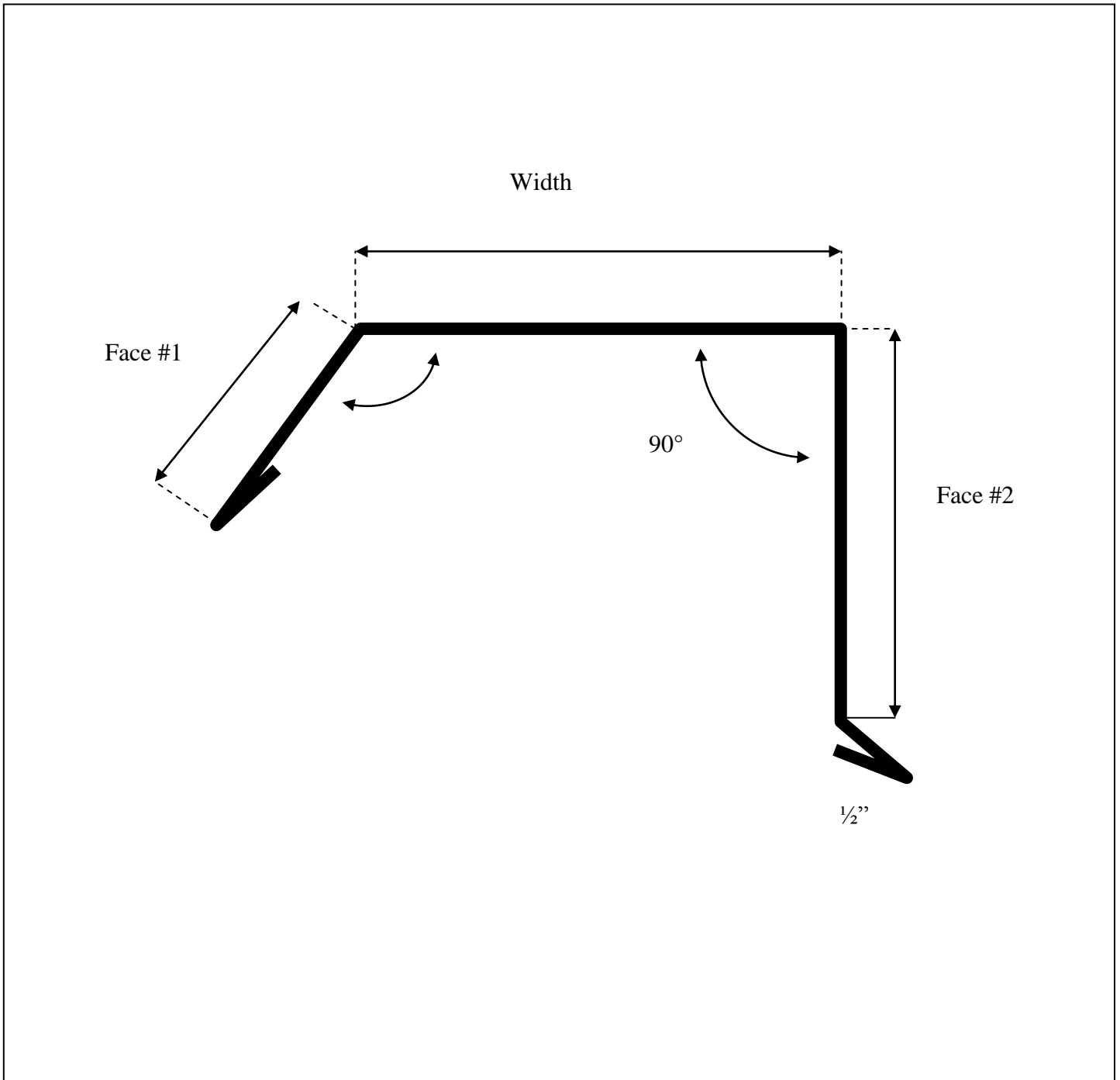
# Ridge Cap

Item #



# Cant Strip

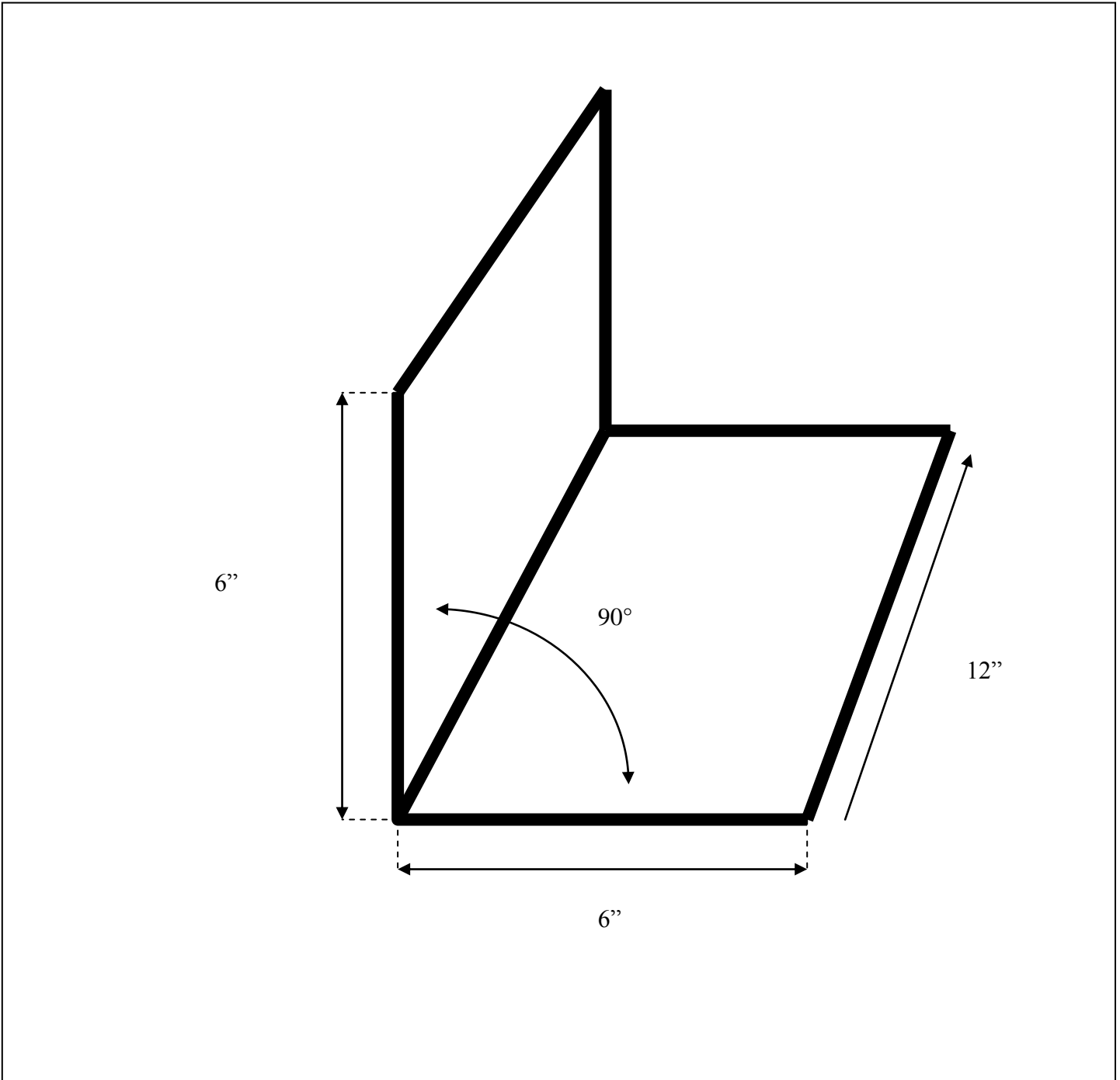
Item #



# Cant Strip w Face

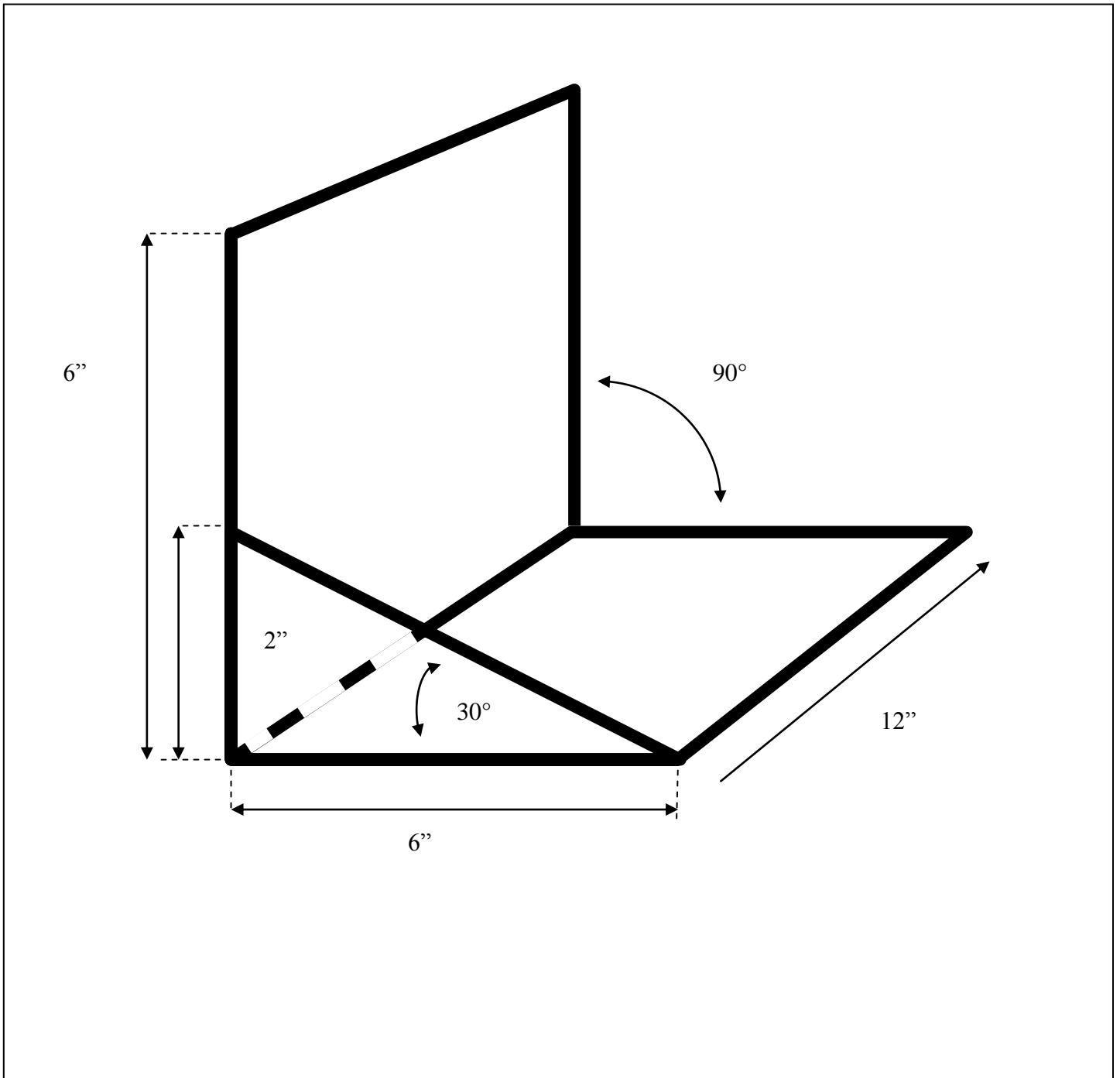
Item #





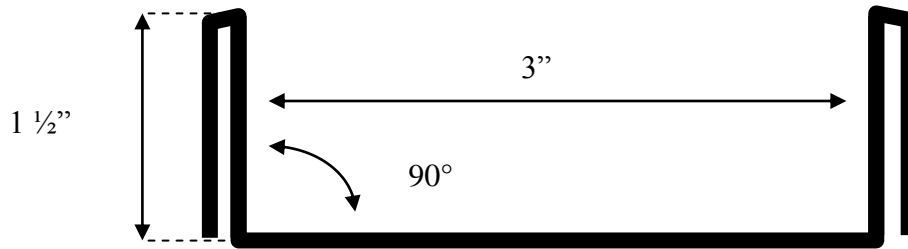
## Step Flashing

Item #



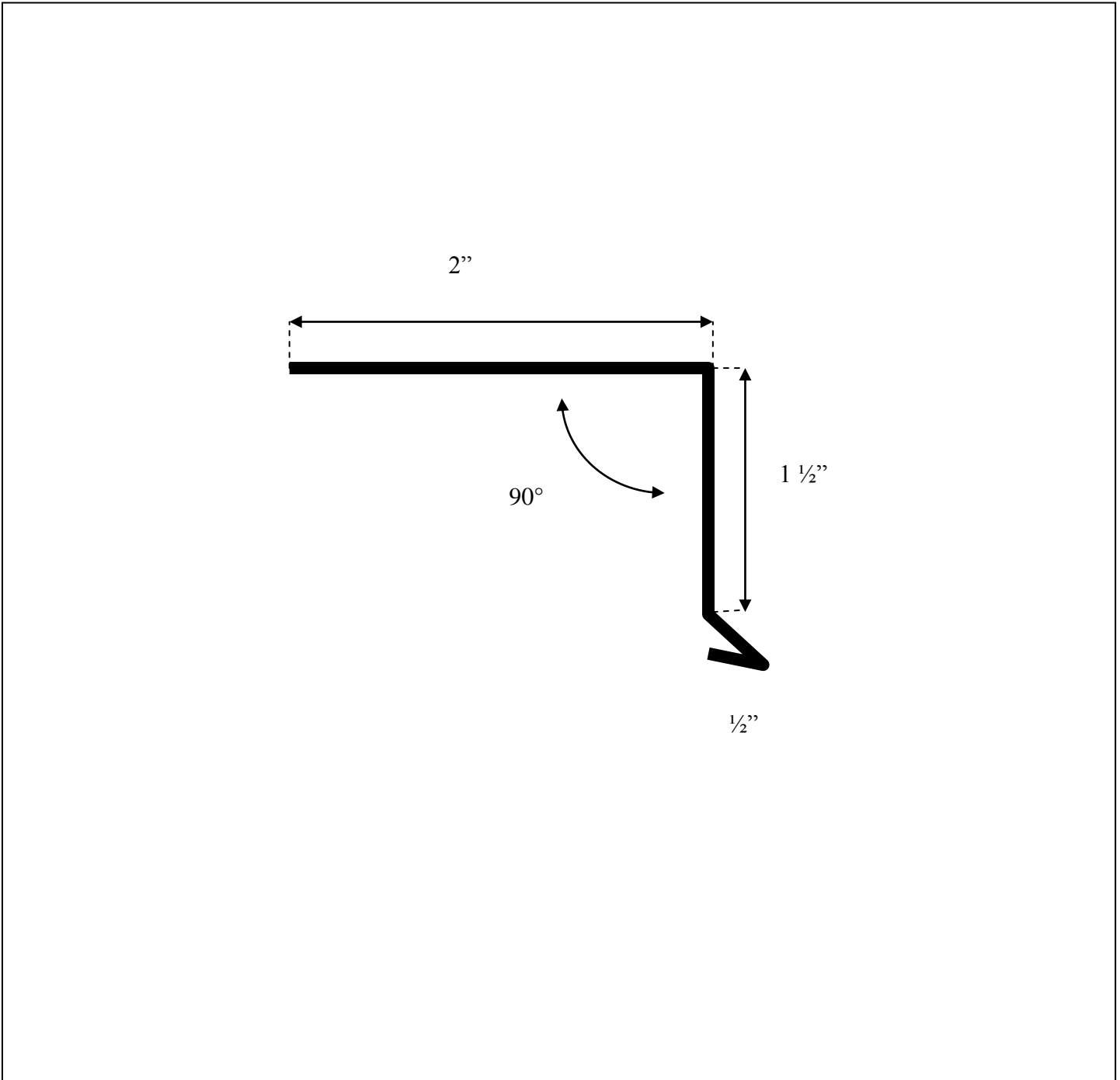
# Roof Diverter

Item #



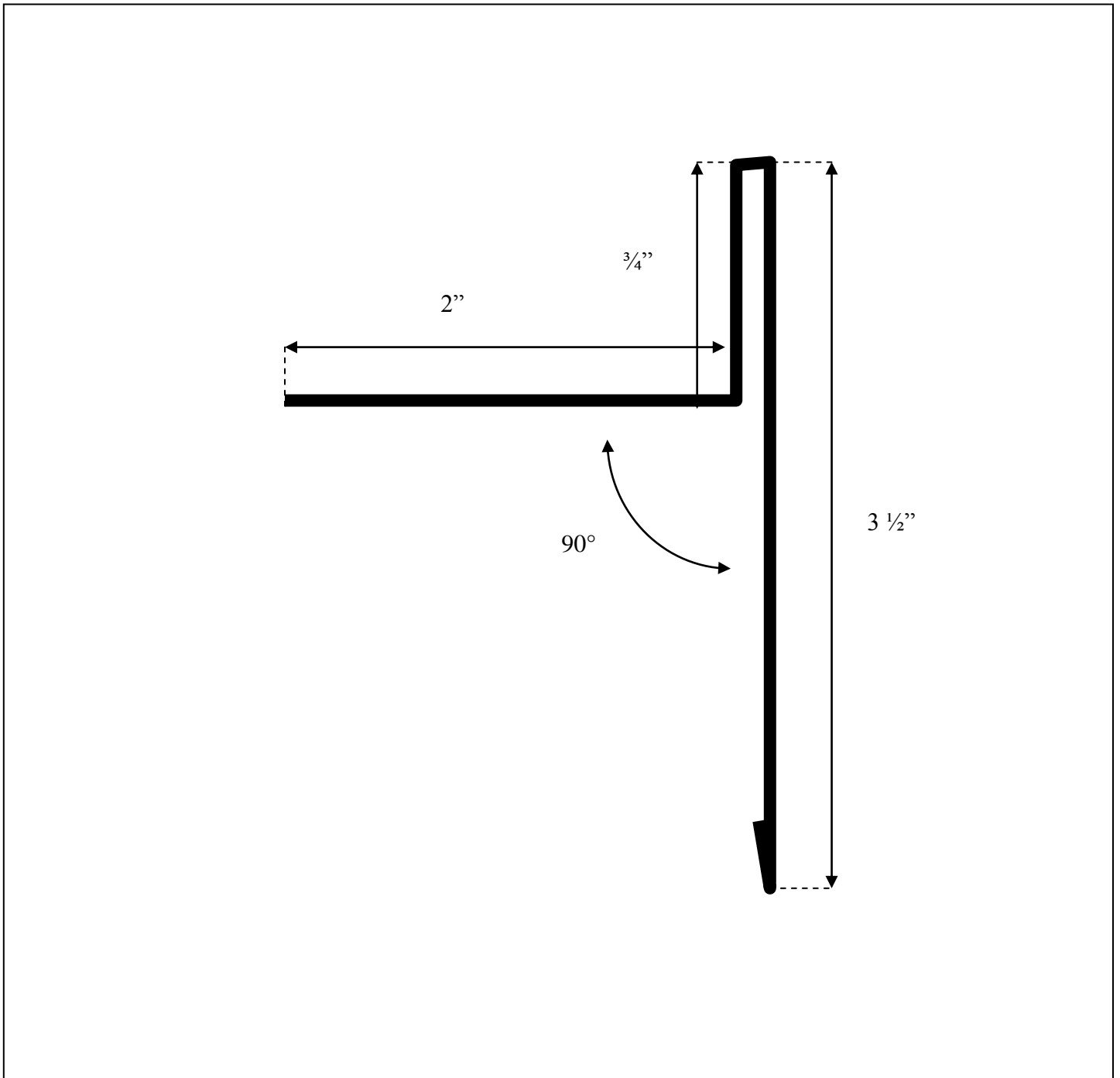
## Rain Water Troff

Item #



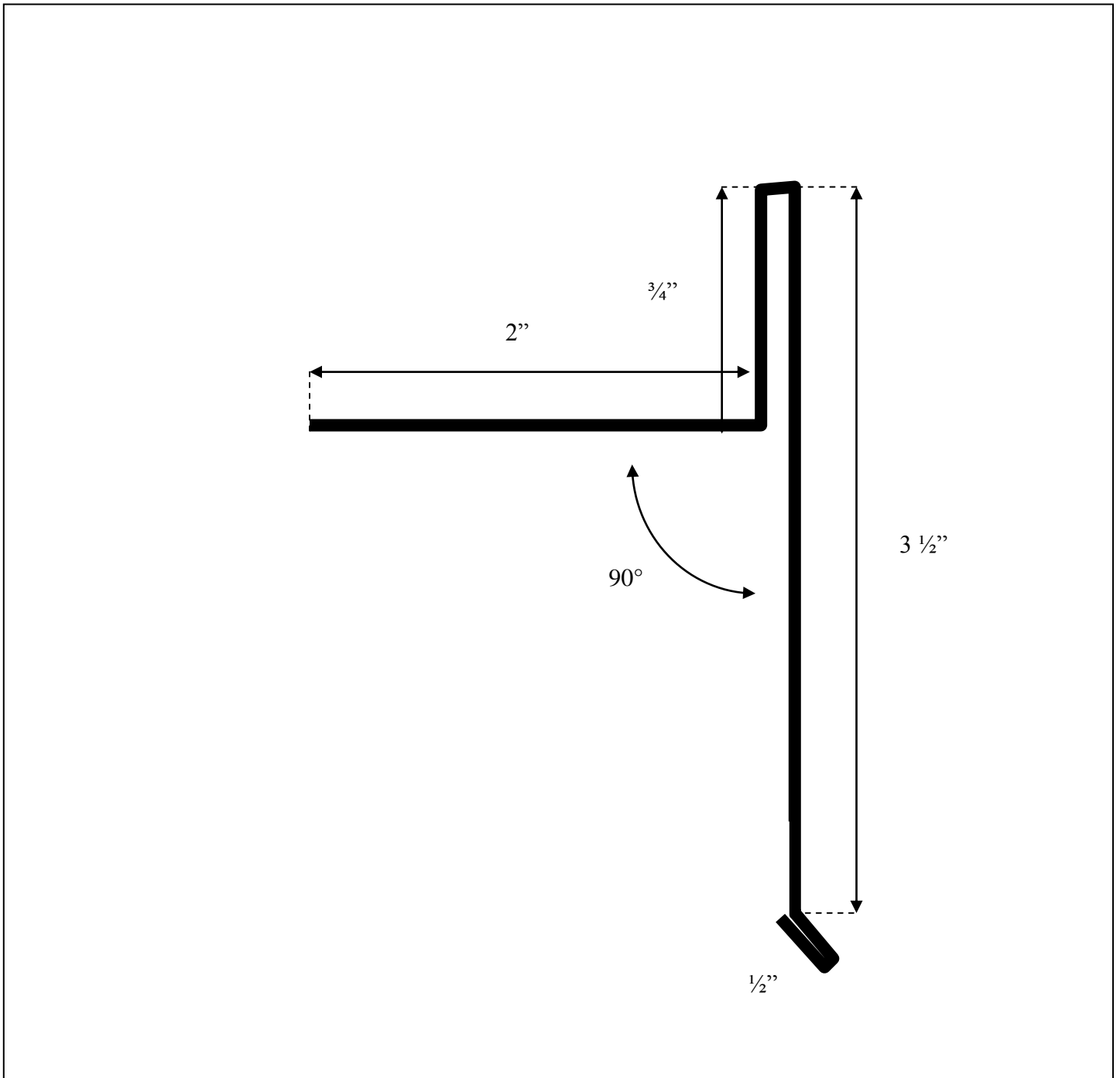
# Gable Flashing

Item #



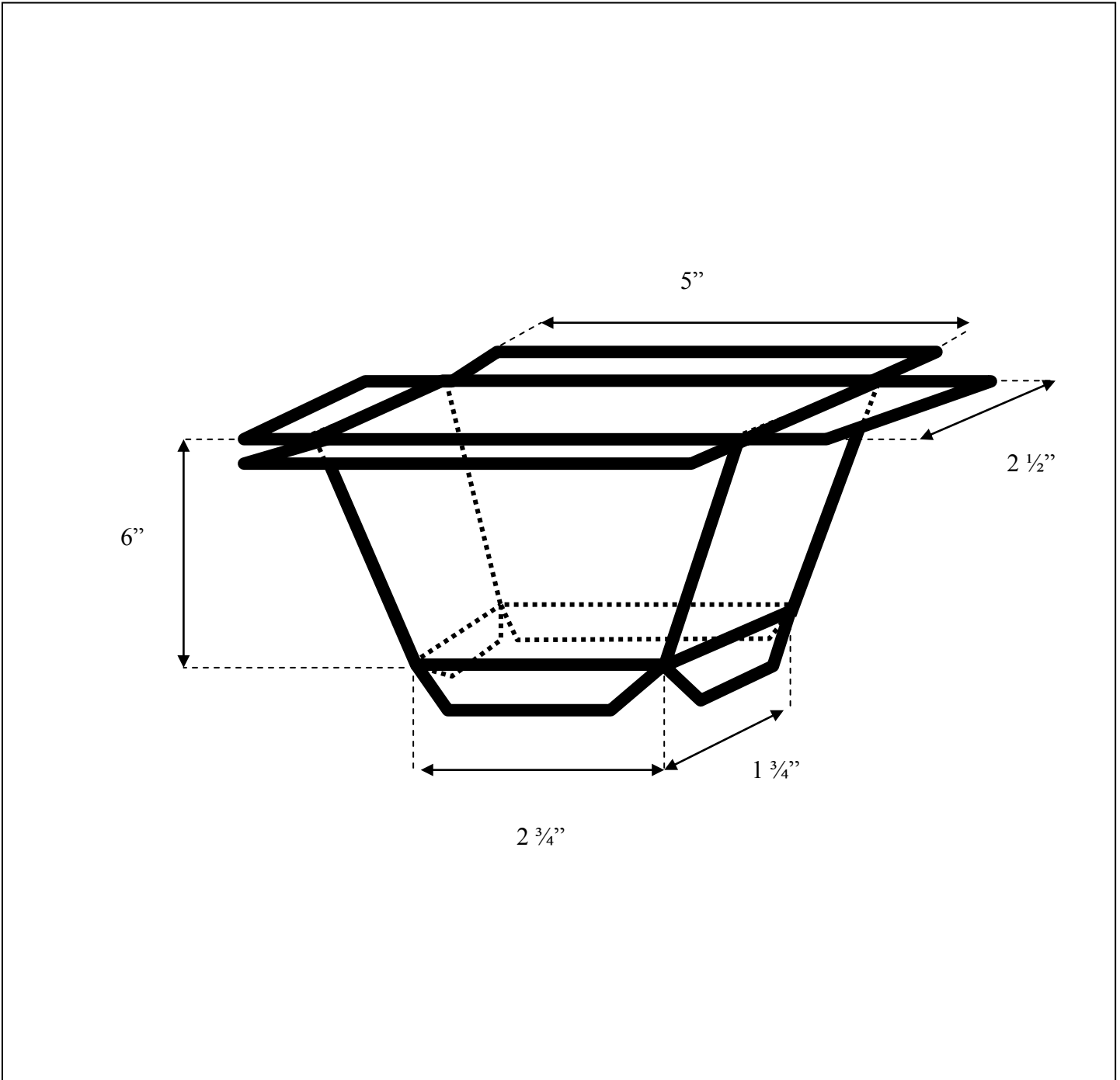
# T Flashing

Item #



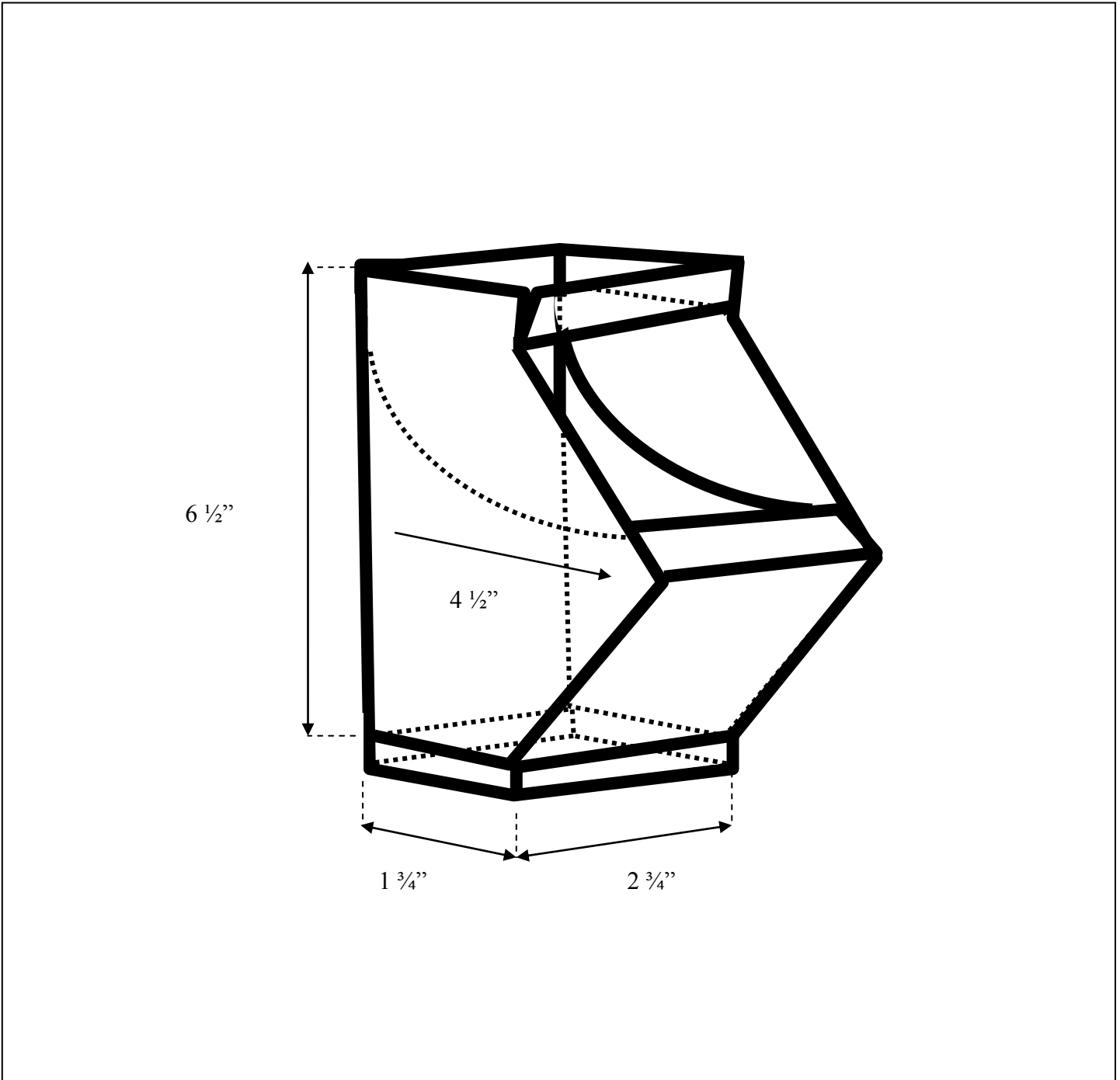
# T Flashing w Drip

Item #



# Funnel Outlet

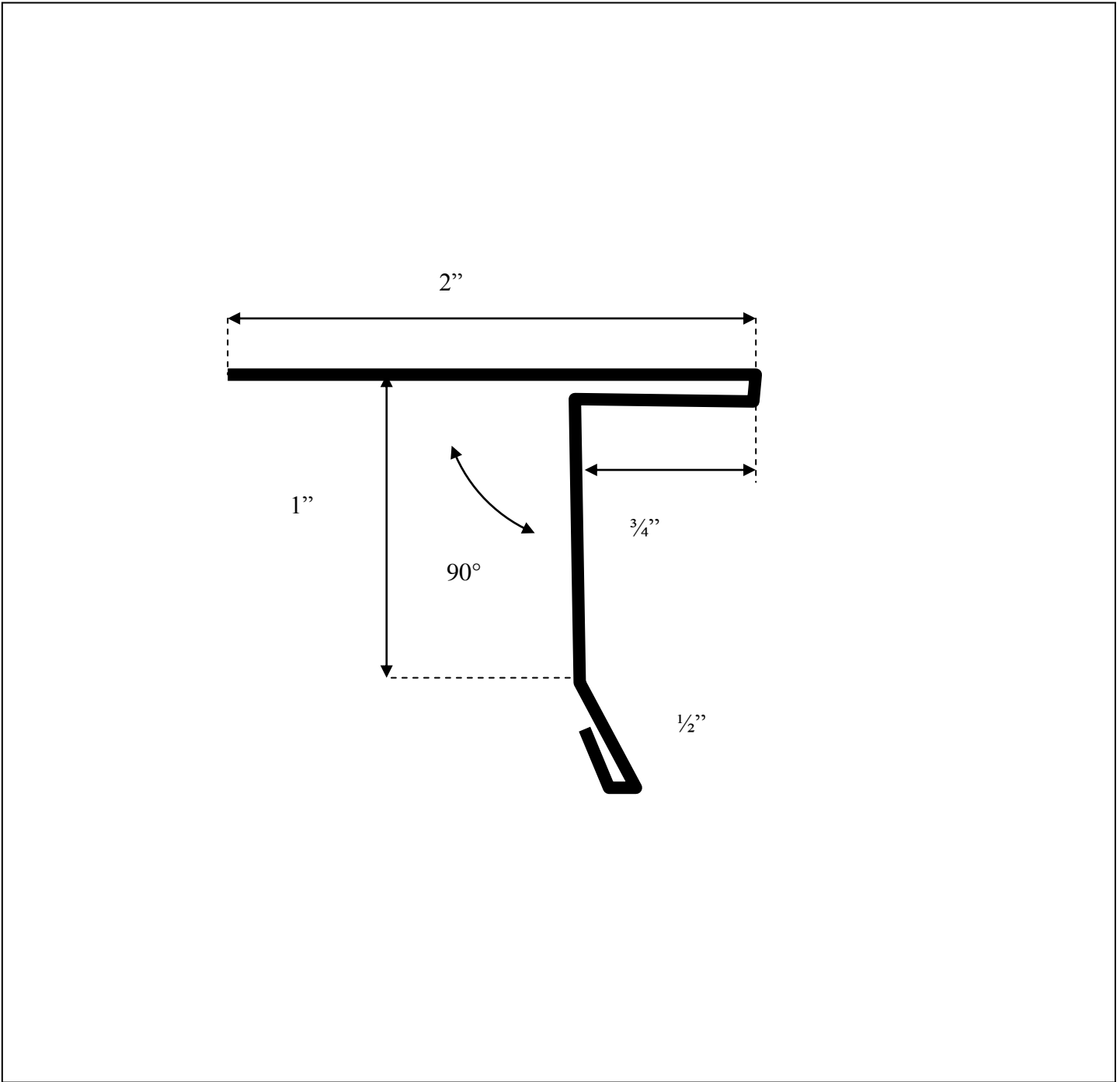
Item #



## Rain Water Cleanout

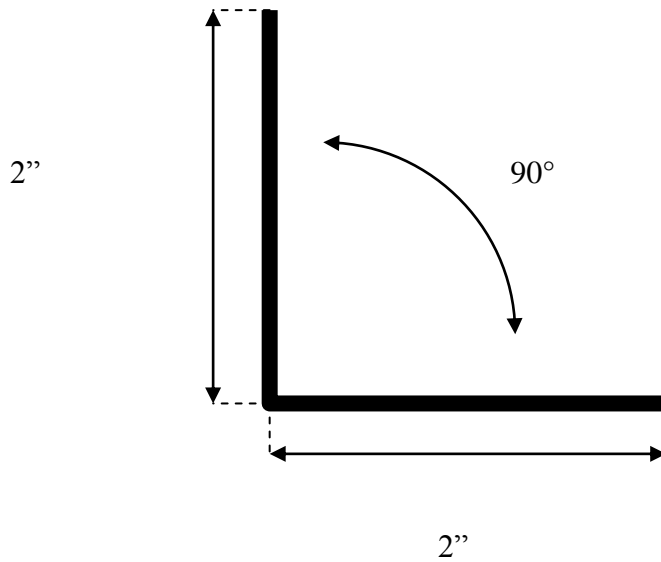
Item #





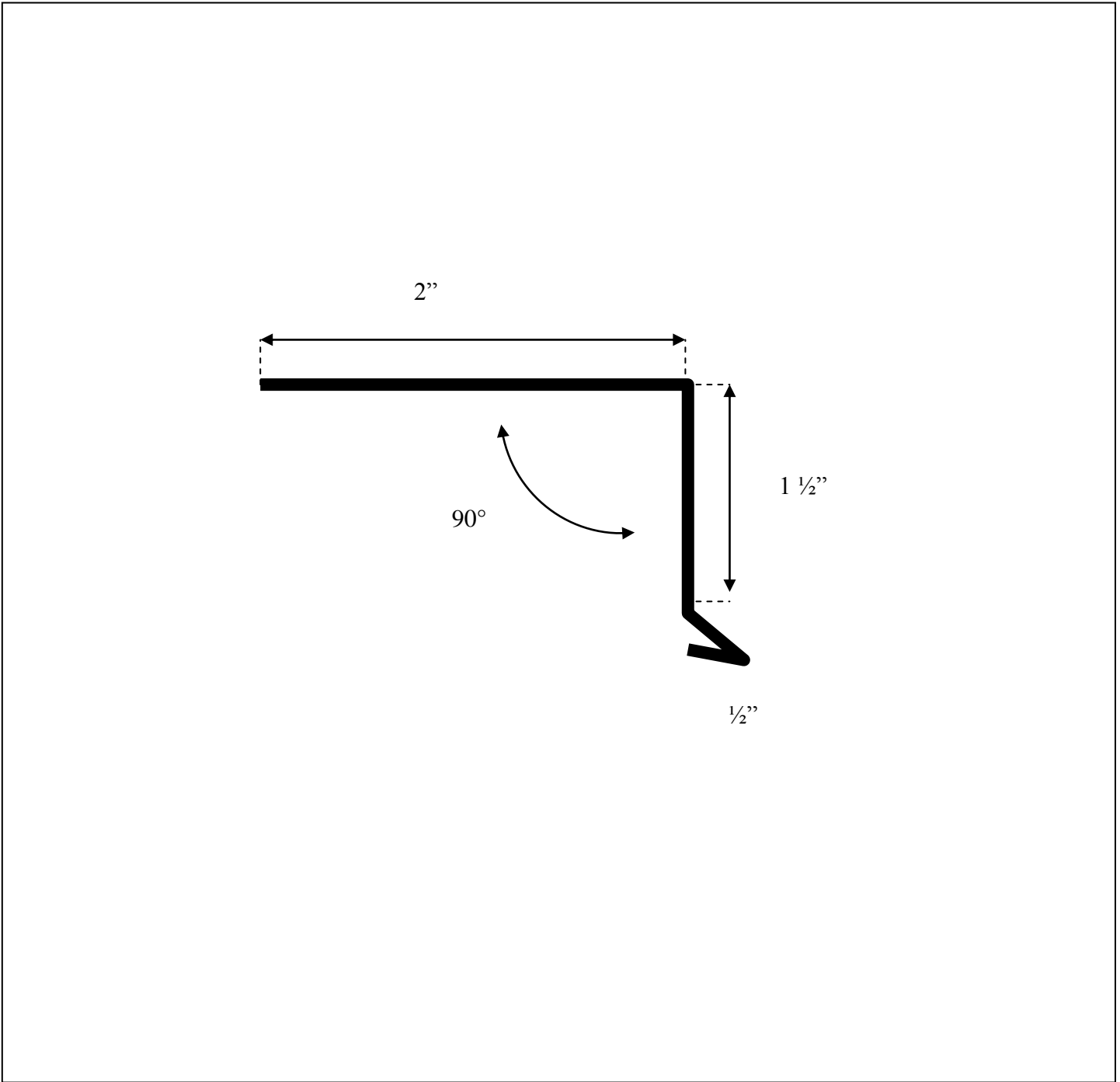
# Eave Starter

Item #



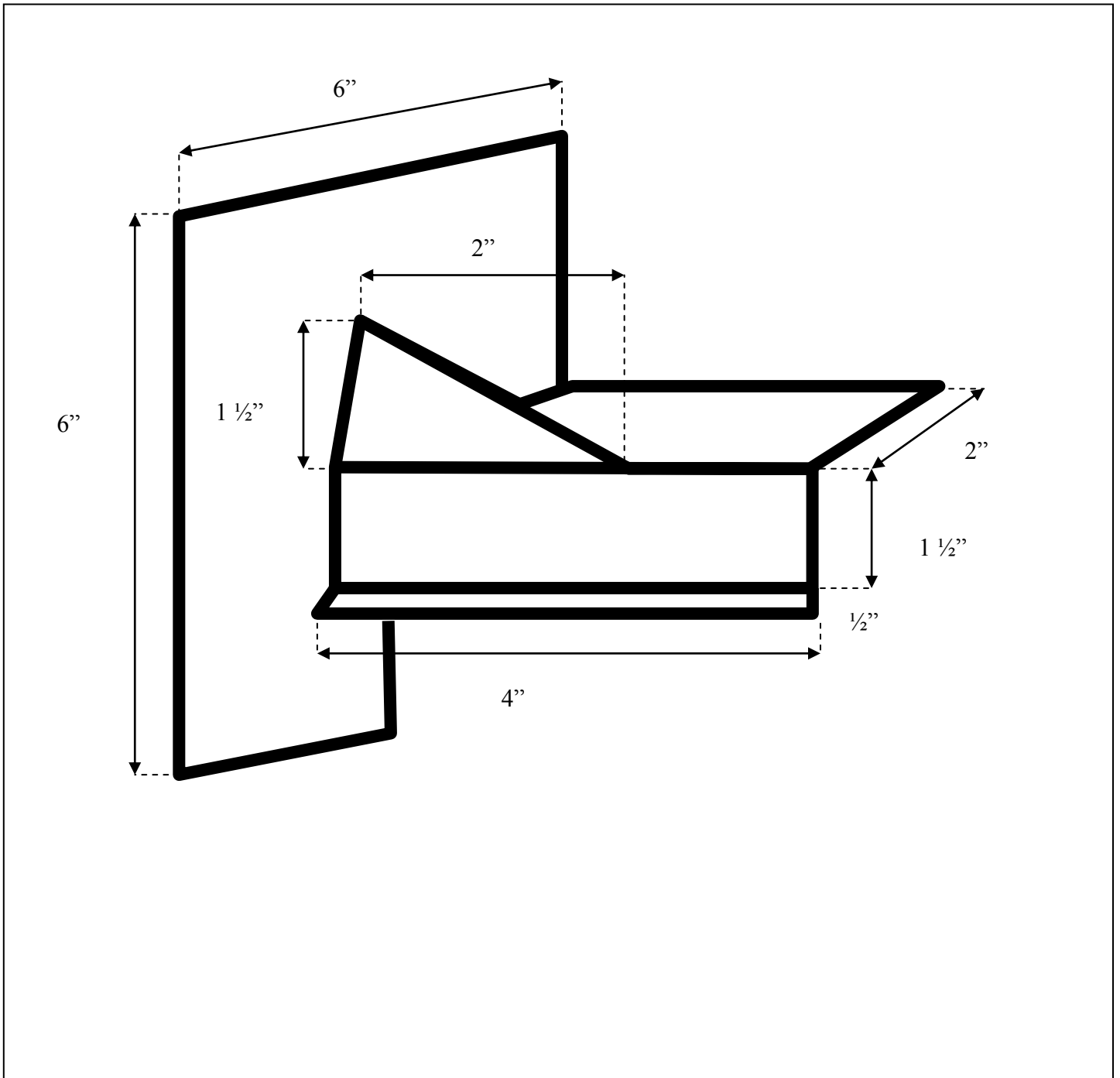
## PVC Coated Deck Edge

Item #



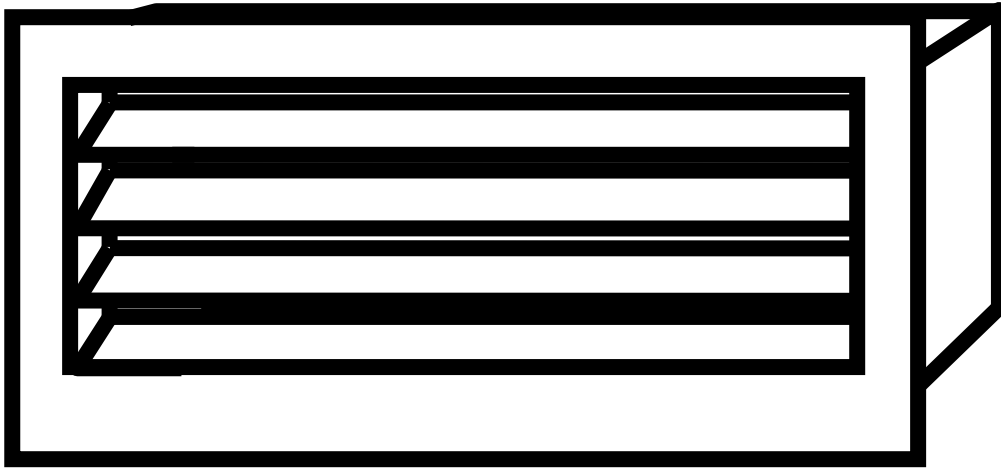
# PVC Coated Deck Edge

Item #



## PVC Coated Deck Diverter

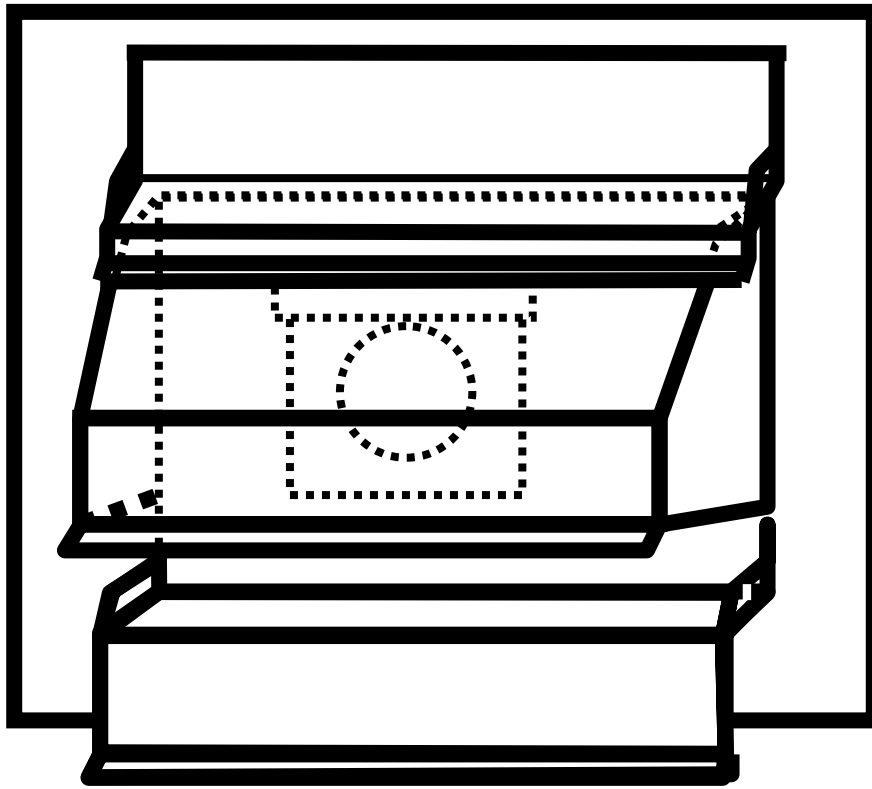
Item #



## Louvered Vent

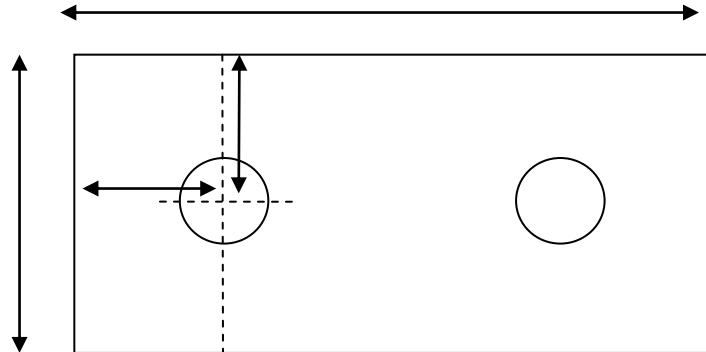
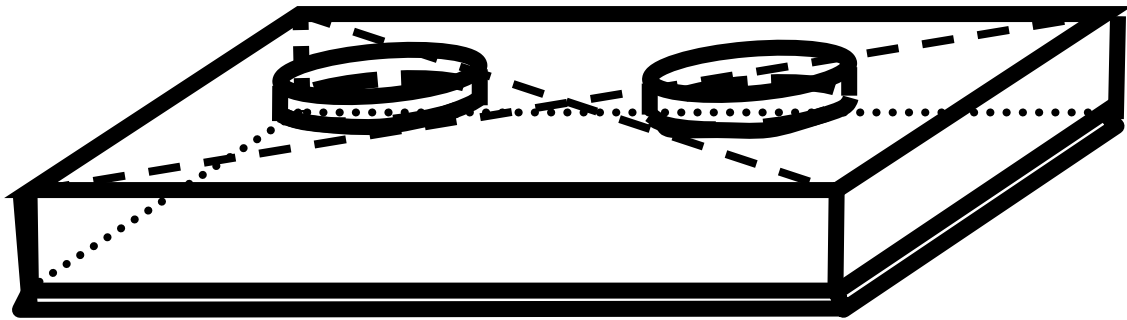
---

Item #



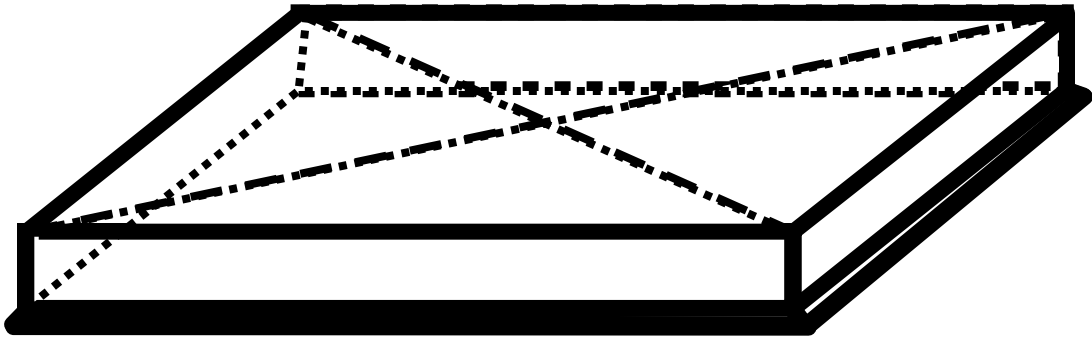
Vent

Item #



# Chimney Cap

Item #

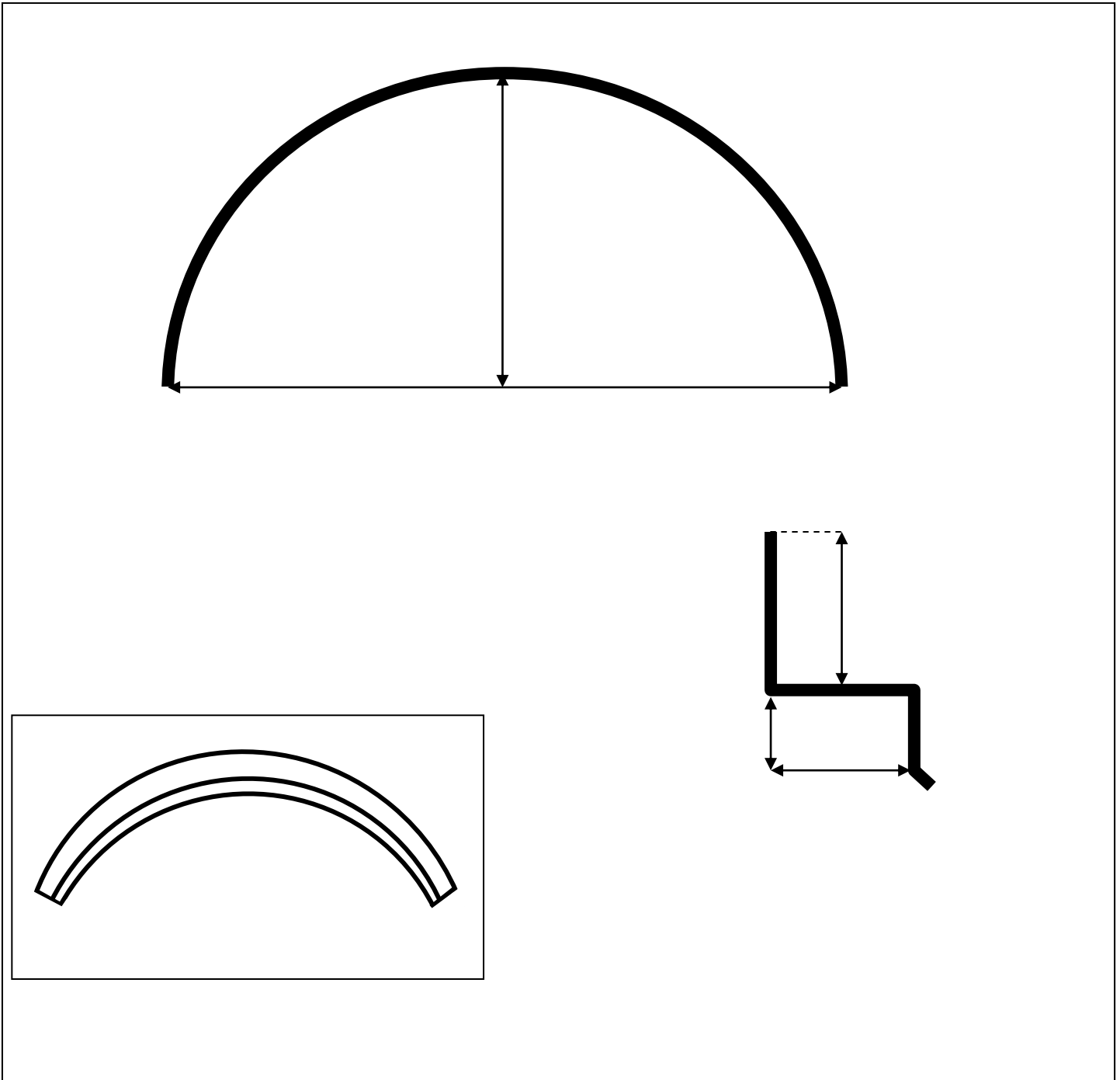


Post Cap

---

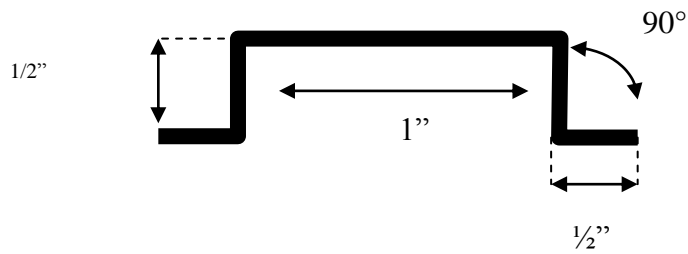
Item #





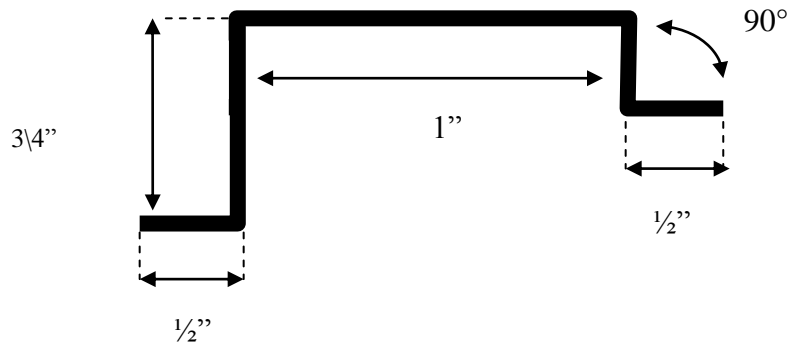
## Curved Head Flashing

Item #



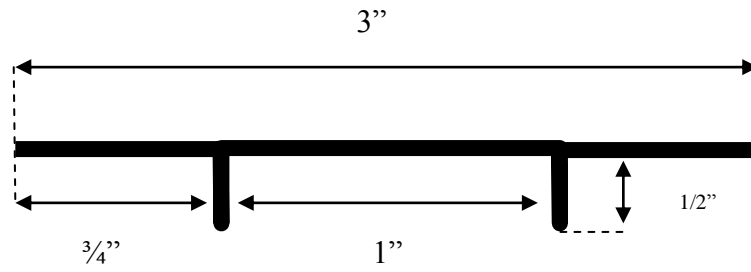
## Vertical Top Cap

Item #



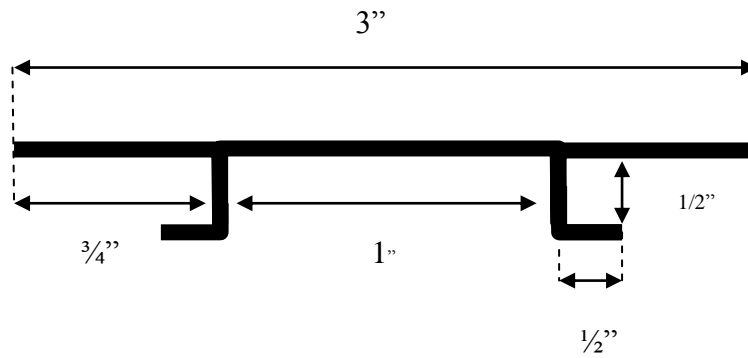
## Stepped Vertical Top Cap

Item #



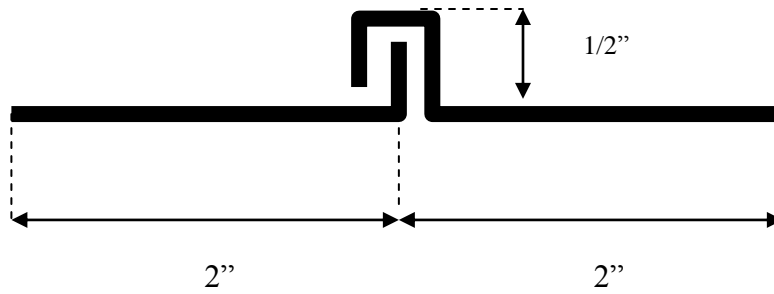
# Back Plate

Item #



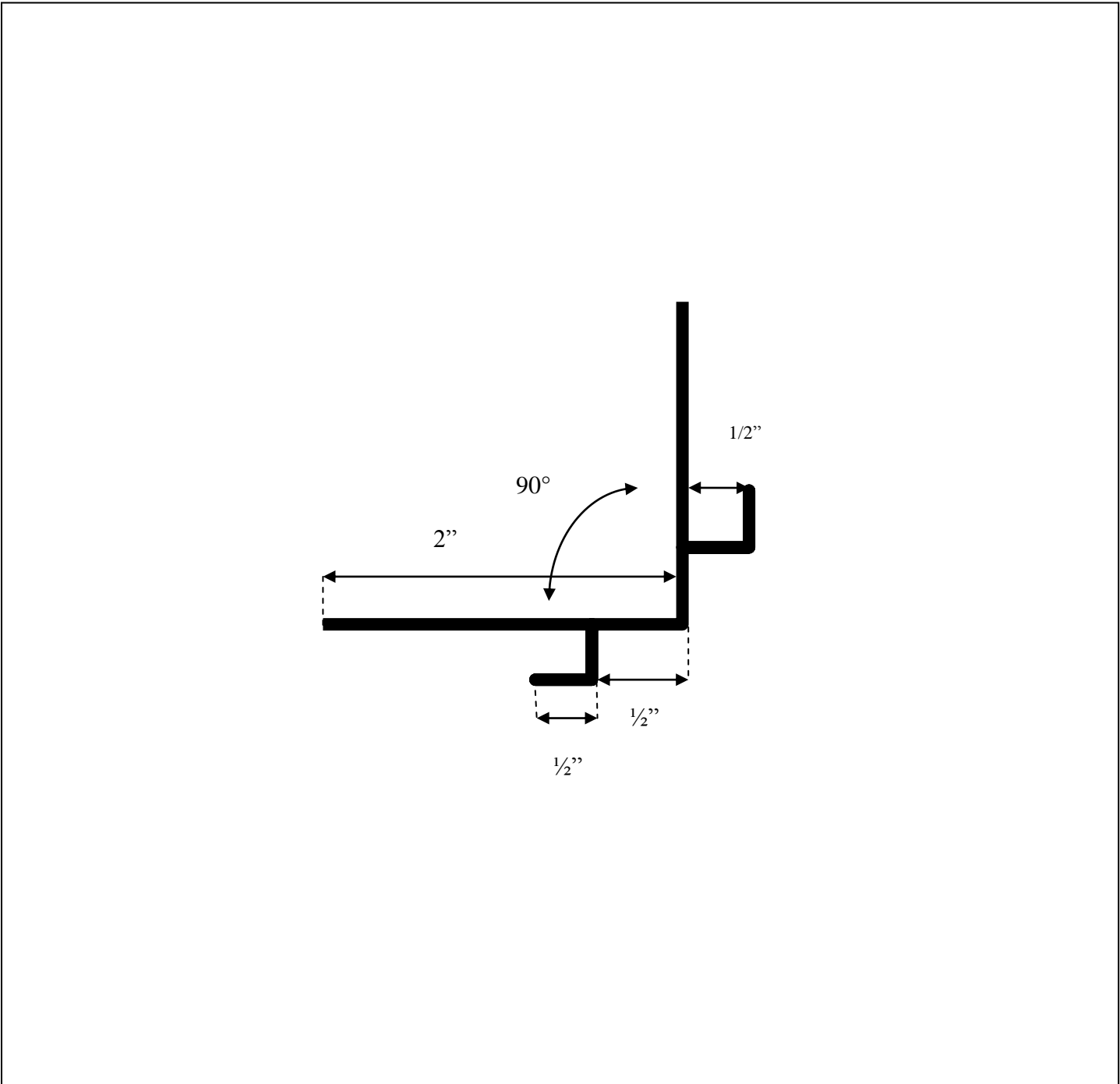
# 1 Piece Vertical Moulding

Item #



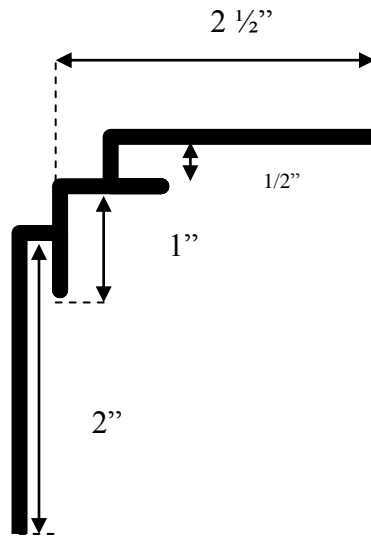
## Panel T Transition

Item #



## Panel Outside Corner

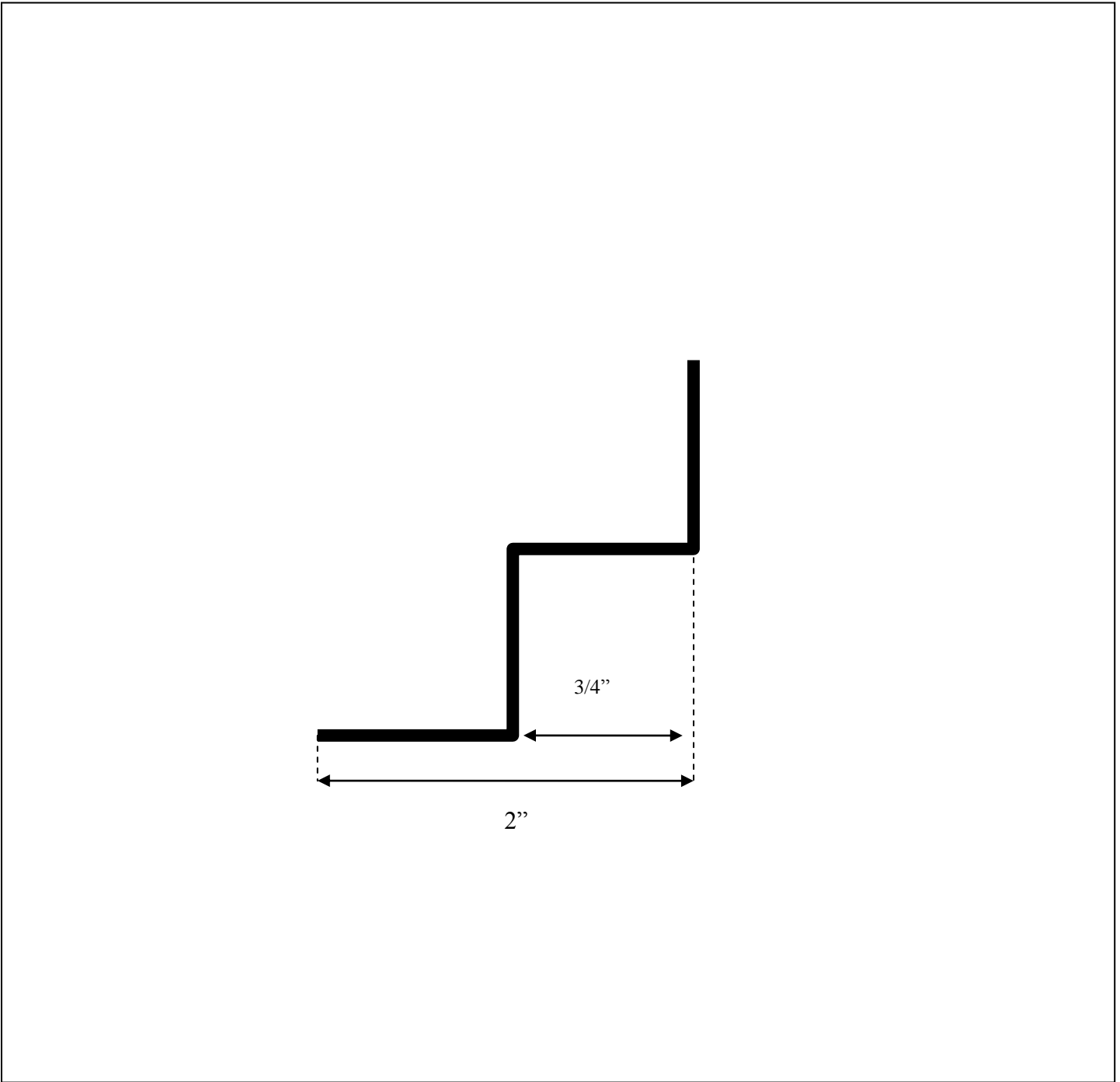
Item #



## Panel Inside Corner

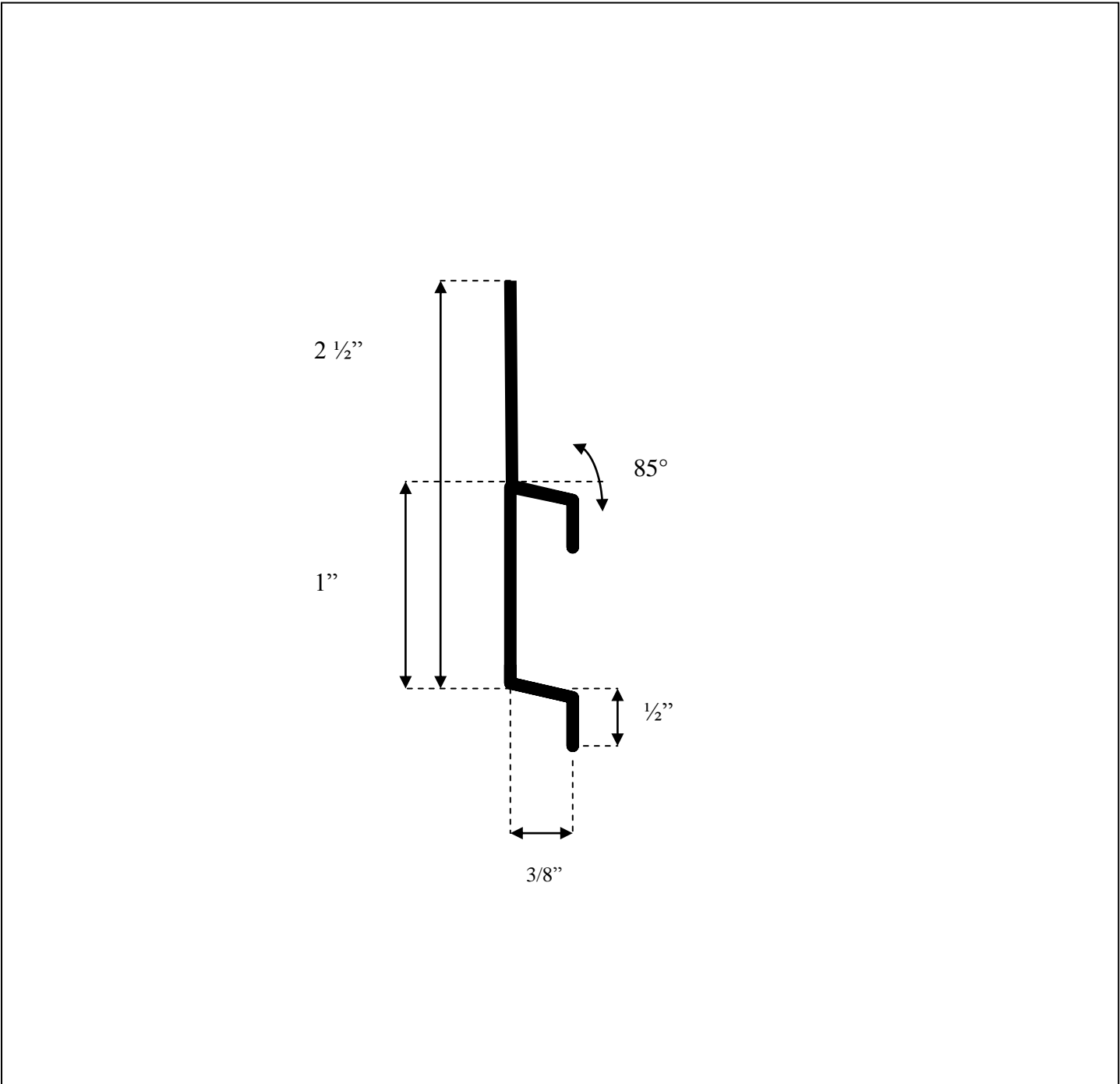
Item #





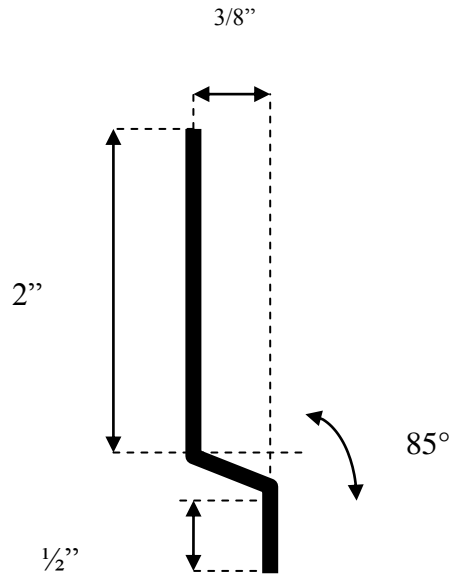
## Panel w Inside Corner

Item #



# Horizontal Trim

Item #



## Panel Z Trim

Item #